

# Fan



SHORT FORM  
CATALOGUE





OUR HISTORY  
page 4

OUR BRANDS  
page 6

QUALITY AND CERTIFICATIONS  
page 8

INDEX BY CATEGORIES  
page 10

INDEX BY CODE  
page 12



# OUR HISTORY

1931

"Società anonima officine Alberto Fantini & C" is born in Milan.

Intellitherm C21 is the first digital programmable thermostat manufactured in Italy.

1985

2007

Fantini Cosmi takes over the ventilation Company Aspira S.r.l., giving birth to the new Fantini Cosmi Industrie Group.



T&G and Fancy, two important Italian leading companies in the thermoregulation field, come aboard.

2011

2014

The Group enters in the Smart Home era, launching its first WiFi Smart thermostat.

Innovations continue to grow with the introduction of the first indoor sanitizer in the heat recovery range. Multicomfort is now the new core concept for the Group.

2018



# OUR BRANDS



## ELECTRICAL AND ELECTRONIC EQUIPMENTS FOR CONTROL AND REGULATION

Fantini Cosmi S.p.A. is one of the leading Italian manufacturers of electrical and electronic equipments, regulation and control systems. Born with the production of industrial electric maneuver, Fantini Cosmi has developed a high experience in different sectors during the recent decades: pressure, flow, level control and temperature regulation in the industrial and domestic fields. The product range is constantly evolving and expanding, to better meet the needs of companies and households, granting the best comfort.



## MEASURING INDUSTRIAL DEVICES

TG Italian brand has been always a European leader in the manufacturing of measuring, control and safety devices, addressed to the OEM customers and thermo-hydraulic wholesalers. TG offers high quality products including industrial and room thermostats, pressure gauges, manometers, thermometers and a variety of products for industrial applications. Thanks to the R&D flexibility, the TG products are often technically customized to meet specific customer's requests.



## DOMESTIC AND INDUSTRIAL VENTILATION SYSTEMS

Aspira Srl is one of the Italian historical brands in the ventilation field. Present on the market for more than 80 years, it offers a wide range of products, starting from the most simple exhaust fans, up to the sophisticated industrial ventilation machines. In the recent years the Aspira flagships are the heat recovery systems, managed locally or remotely by App, including the air sanitation devices, to complete the Smart Home range and guarantee an healthy life.

# FANAIR

## RESIDENTIAL AND COMMERCIAL AIR CONDITIONING

Fanair offers a wide range of air conditioners, air curtains, signed by Fantini Cosmi Industrie. The range is designed to meet every need, both in domestic, industrial and service fields. The Fanair air conditioners are reliable, efficient and intuitive to use: every aspect is the result of a deep study and careful quality control.



# QUALITY AND CERTIFICATIONS

Quality is more than ever a primary form of guarantee, both concerning the protection of the basic needs, health and safety, and also to satisfy the specific construction and performance requirements of products. Fantini Cosmi Industrie is able to provide the most important Certifications, which represents the best guarantee of a quality assurance.

Fantini Cosmi Industrie has been keeping an effective and efficient corporate structure with a management system certification since 1997 according to the **UNI EN ISO9001** with international value obtained by CSQ. As always, the Fantini Cosmi goal is to provide products that are increasingly matching the needs of customers, starting from the analysis and the drafting of a project feasibility, up to the review of internal processes in the Production and Management, from the staff trainings to the consolidation of the constantly monitored processes.

Fantini Cosmi S.p.A. is also certified **OHSAS 45001:2018**, whose standards determine the requirements for a Safety Management System and the Health in Workplaces. **ISO 14001:2015** has also been achieved, whose standards certify the attention paid by the Company in preserving the Environment.



ISO 45001:2018  
ISO 14001:2015







PED 2014/68/UE

C € 0497

EAC



Fantini Cosmi Industrie guarantees the quality through the Company certifications, as well as those regarding its products, in compliance with the latest European Directives.

To further protect, some of the Fantini Cosmi Industrie products, such as the devices installed in pressure systems, are also certified in accordance with the Directive 97/23/EC (PED), which involves the installations on boilers, pressure vessels, pipes and accessories.

A part of the production has been approved by the following external bodies:

- ENEC and INAIL for the Fantini Cosmi thermostats and pressure switches
- TUV and DIN CERTCO for thermostats under the TG brand

Heat metering systems are also certified according to the Directive 2004/22 / EC (MID), which guarantees the reliability of the measurements detected by the MID devices and a consequent protection of consumers.

To ensure even more accuracy and reliability, Fantini Cosmi Industrie holds a specific Quality Control Department and a Laboratory Testing, that regularly perform statistical tests, to verify and guarantee the finished product performances.

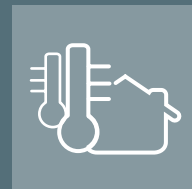
Additional periodic tests are performed by external laboratories.

# Fan



# INDEX BY CATEGORIES

ROOM THERMOSTATS



PAGE 14

ENCASED THERMOSTATS  
CAPILLARY THERMOSTATS



PAGE 15  
PAGE 20

PRESSURE SWITCHES  
CAPILLARY MEASUREMENT INSTRUMENTS  
DIRECT CONNECTED EQUIPMENT PRESSURE GAUGES



PAGE 27  
PAGE 28  
PAGE 33

ACCESSORIES

PAGE 37

# INDEX BY CODES

Code	Page	Code	Page	Code	Page	Code	Page	
110-00326-00A	*	28	171-05336-00A	*	29	3A1-27320-00A	34	
110-00335-00A	*	28	171-10125-00A	*	29	3A1-27520-00A	33	
110-00336-00A		28	171-10135-00A		29	3A1-28520-00A	33	
110-10025-00A		28	171-17126-00A	*	29	3A1-32320-00A	34	
110-10125-00A		28	181-05326-00A	*	29	3A1-32520-00A	33	
110-10126-00A	*	28	181-05336-00A	*	29	3A1-33320-00A	34	
110-10135-00A		28	181-10125-00A	*	29	3A1-33520-00A	33	
110-10136-00A	*	28	181-10126-00A	*	29	3A1-34320-00A	34	
110-40025-00A	*	28	181-10135-00A		29	3A1-34520-00A	33	
110-40125-00A	*	28	181-17126-00A	*	29	3A1-35320-00A	34	
110-40126-00A	*	28	1A3-10105-00A		38	3A1-35520-00A	33	
110-40135-00A		28	1A3-10112-00A		38	3A1-36320-00A	34	
110-40136-00A	*	28	1A4-10101-00A		38	3A1-36520-00A	33	
113-00326-00A	*	28	1A4-10105-00A		38	3A13-70035-00A	*	30
113-00335-00A	*	28	1A4-20101-00A		38	3A13-70125-00A	*	30
113-00336-00A	*	28	1A4-20105-00A		38	3A13-70126-00A	*	30
113-10125-00A		28	1B2-10000-00A		38	3A13-70135-00A	*	30
113-10126-00A	*	28	1C8-12121-00A	*	37	3A1-37320-00A		34
113-10135-00A		28	1C9-12121-00A	*	37	3A1-37520-00A		33
113-10136-00A	*	28	250-05301-10A		27	3A13-80125-00A	*	30
115-00326-00A	*	28	250-08301-10A		27	3A13-80126-00A	*	30
115-00336-00A	*	28	250-10300-10A		27	3A13-80135-00A	*	30
115-10025-00A	*	28	250-10301-10A		27	3A1-38520-00A		33
115-10035-00A	*	28	251-05301-10A		27	3A1-52530-00A		34
115-10126-00A	*	28	251-08301-10A	*	27	3A1-53530-00A		34
115-10135-00A	*	28	251-10301-10A	*	27	3A1-54530-00A		34
130-00326-00A	*	29	255-08301-10A	*	27	3A1-55530-00A		34
130-00336-00A	*	29	280-35200-10A	*	27	3A1-56530-00A		34
130-10025-00A	*	29	281-35200-10A	*	27	3A1-57530-00A		34
130-10035-00A	*	29	340-70125-00A	*	30	3A1-58530-00A		34
130-10125-00A	*	29	340-70135-20A	*	30	3A1-59530-00A		34
130-10135-00A		29	340-80125-20A	*	30	3A1-5A530-00A		34
133-00326-00A	*	29	340-80135-20A	*	30	3A20-70035-00A	*	30
133-00336-00A	*	29	343-70135-20A	*	30	3A20-70125-00A		30
133-10035-00A	*	29	343-80125-00A	*	30	3A20-70126-00A		30
133-10135-00A	*	29	343-80135-20A	*	30	3A20-70135-00A		30
150-00335-00A	*	29	3A1-14310-00A		34	3A20-80125-00A	*	30
150-05326-00A	*	29	3A1-15310-00A		34	3A20-80126-00A	*	30
150-05336-00A	*	29	3A1-16310-00A		34	3A20-80135-00A		30
150-10035-00A		29	3A1-24320-00A		34	3A2-14310-00A		34
150-10045-00A		29	3A1-24520-00A		33	3A2-15310-00A		34
150-10125-00A	*	29	3A1-25320-00A		34	3A2-16310-00A		34
150-10135-00A		29	3A1-25520-00A		33	3A2-17310-00A		34
150-17025-00A	*	29	3A1-26320-00A		34	3A2-24320-00A		34
171-05326-00A	*	29	3A1-26520-00A		33	3A2-24520-00A		33
						3A2-25320-00A		34
						3A2-25520-00A		33
						3A2-26320-00A		34
						3A2-26520-00A		33
						3A2-27320-00A		34
						3A2-27520-00A		33
						3A2-28520-00A		33
						3A2-32320-00A		34
						3A2-33320-00A		34
						3A2-34320-00A		34
						3A2-34520-00A		33
						3A2-35320-00A		33
						3A2-35520-00A		33
						3A2-36320-00A		34
						3A2-36520-00A		33
						3A2-37320-00A		34
						3A2-37520-00A		33
						3A2-38520-00A		33
						3A50-70035-00A	*	30
						3A50-70125-00A	*	30
						3A50-70126-00A	*	30
						3A50-70135-00A	*	30
						3A50-80125-00A	*	30
						3A50-80126-00A	*	30
						3A50-80135-00A	*	30
						3B1-42421-00A		33
						3B1-43421-00A		33
						3B1-44421-00A		33
						3B1-45421-00A		33
						3B1-46421-00A		33
						3B1-47421-00A		33
						3B1-52330-00A		34
						3B1-53330-00A		34
						3B1-54330-00A		34
						3B1-55330-00A		34
						3B1-56330-00A		34
						3B1-57330-00A		34
						3B1-58330-00A		34
						3B1-59330-00A		34
						3B1-5A330-00A		34
						3E1-31320-00A		34
						3E1-33320-00A		35
						3E1-34320-00A		35
						3E1-35320-00A		35
						3E1-36320-00A		35

\* price and delivery time upon request

Code	Page	Code	Page	Code	Page	Code	Page
3E1-37320-00A	35	520-80135-00A *	31	711-X1338-02A	21	7M6-99210-00A *	38
3E1-38320-00A	35	520-87025-51A *	31	711-X7328-03A	21	7M8-11210-00A	38
3E1-39320-00A	35	522-80125-00A *	31	712-10328-V0A	22	7P1-1R306-00A	17
3E1-3A320-00A	35	522-80126-01A	31	712-10338-00A	22	7P1-6R306-00A *	17
3E1-3B320-00A	35	540-70135-00A	32	712-10338-00A	22	7P1-XR306-00A *	17
3E1-3C320-00A	35	540-80135-00A	32	713-11328-00A *	21	7P2-10306-00A	17
3E1-3D320-00A	35	560-70035-00A *	31	713-11338-00A *	21	7P2-60306-00A *	17
3G1-3A420-00A	35	560-70125-00A	31	713-G1227-01A	21	7P2-X0306-01A	17
3G1-3B420-00A	35	560-70125-50A *	31	716-90328-00A *	22	7R1-5R306-00A	20
3G1-3D420-00A	35	560-70126-00A	31	716-90338-00A *	22	7R1-6R306-00A	20
3G1-3E420-00A	35	560-70135-00A	31	716-99338-00A *	22	7R1-XR306-00A	20
3G1-3F420-00A	35	560-70136-00A	31	751-11368-00A *	22	7R2-50306-00A *	20
4550-01-1A	31	560-80135-00A *	31	7750-12-0A	36	7R2-60306-00A	20
4550-10-8A *	31	5920-02-0A	38	7750-14-0A	36	7V6-42200-00A	38
4550-15-7A	31	5930-02-0A *	38	7750-38-0A	36	8N1-BR6B6-00A	19
4550-20-7A	31	65C-00201-00A	14	7760-12-0A	36	8N2-B06A6-00A *	19
4550-30-0A *	37	65C-00251-00A *	14	7760-14-0A	36	8N2-B06B6-00A *	19
4550-30-1A	37	65C-01331-00A	14	7760-38-0A	36	8N4-BR6B6-00A	19
4550-30-2A *	37	65C-02331-00A	14	7A11-11338-00B	23	8N4-XR6A6-00A *	19
4550-30-3A	37	65C-03331-00A *	14	7A11-51338-00A	23	8N5-CR6B6-00A	19
4550-30-4A	37	6960-01-4A	27	7A11-F1338-00A *	23	8P1-BR606-00A	18
4550-37-0A	37	6960-02-4A	27	7A11-G1339-00A *	23	8P1-ER606-00A	18
4550-37-1A *	37	6960-03-4A	27	7A11-H1337-00B *	23	8P4-BR606-00A *	18
4550-37-2A *	37	6960-04-4A *	27	7A1-1R306-00A	15	8P4-ER606-00A	18
4550-37-6A *	37	6960-05-4A	27	7A12-10338-00B *	23	8P5-0R606-00A	18
4550-40-0A	37	6960-07-4A	27	7A16-90338-00A *	23	8P5-CR606-00A *	18
4550-40-2A	37	6960-09-4A *	27	7A1-6R306-00A	15	8P6-MR606-00A *	18
4550-40-3A *	37	6960-10-4A	27	7A2-10306-00A	15	961-11228-00A *	24
4550-40-4A	37	6960-17-4A *	27	7A2-60306-00A	15	961-11328-00A	24
4550-46-0A	37	6960-19-4B	27	7C1-1R306-50A	15	961-11338-20B *	24
4550-46-2A	37	6962-00-4A	27	7C1-6R306-50A *	15	961-11338-V0A	24
4550-46-3A	37	6963-03-4A	27	7C2-10306-50A	15	961-11338-00A	24
4550-46-4A *	37	711-11328-00A	21	7C2-60306-50A *	15	961-90328-00A *	24
4550-46-6A	37	711-11338-04A	21	7K1-1R326-00A	16	961-90338-00A *	24
4550-50-0B	27	711-11338-V0A	21	7K1-1R336-00A	16	962-11228-00A	25
4550-52-0A	27	711-11338-00A	21	7K1-1S326-00A	16	962-11238-00A	25
4550-80-0A	27	711-11368-03A	21	7K1-6R326-00A *	16	962-11328-00A *	25
4553-61-1B *	32	711-51328-00A *	21	7K1-6S326-00A	16	962-11338-00A *	25
4553-62-0B *	32	711-51338-00A	21	7K1-6S326-01A *	16	963-11328-V0A *	24
4555-20-0A	36	711-51338-03A	21	7K1-FR336-00A	16	963-11328-00A *	24
4555-25-2A	36	711-71328-00A	21	7K1-FS336-00A *	16	963-11338-00A	24
4555-40-0B	27	711-71338-00A	21	7K1-HR337-00A *	16	963-11338-03A	24
4555-41-1A *	37	711-71338-02A *	21	7K1-XR338-01A *	16	963-11338-20B *	24
4700-00-1A	32	711-71338-03A	21	7K2-10326-00A *	16	963-90328-00A *	24
4700-01-8A *	32	711-F1328-00A	21	7K2-60326-00A	16	963-90338-00A	24
4700-10-9A	32	711-F1338-00A	21	7K2-60326-01A *	16		
4790-15-1A	32	711-G1329-00A *	21	7K6-05366-00A *	16		
520-70025-00A *	31	711-G1339-00A	21	7M6-11210-00A *	38		
520-70125-00A *	31	711-H1327-00A	21	7M6-42200-00A	38		
520-70126-00A *	31	711-H1337-00A	21	7M6-80200-00A *	38		
520-70135-00A	31	711-H1337-03A *	21	7M6-80210-00A *	38		
520-70136-00A *	31	711-X1338-01B	21	7M6-90210-00A *	38		

\* price and delivery time upon request

# ROOM THERMOSTATS

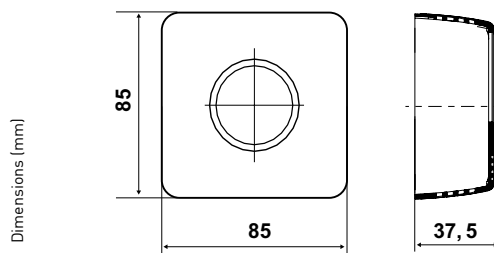
## COLIBRÌ - Electromechanical room thermostats



- Temperature range  $10 \div 30$  °C.
- Protection level IP30
- Differential 0.8K.
- Thermostat body admissible temperature  $-10 \div 50$  °C.

CODE	MODEL	CONTACT RATING	CONTACT	PACK QTY
65C-00201-00A	COLIBRÌ 31	10(2)A 250Vca	SPDT	10
65C-00251-00A *	COLIBRÌ 31 GOLD	10-200mA	SPDT gold	10
65C-01331-00A	COLIBRÌ 32	10(2)A 250Vca	SPDT led	10
65C-02331-00A	COLIBRÌ 33	10(2)A 250Vca	SPDT on/off switch -led	10
65C-03331-00A *	COLIBRÌ 34	10(2)A 250Vca	SPDT summer/winter - led	10

\* price and delivery time upon request



# ENCASED THERMOSTATS

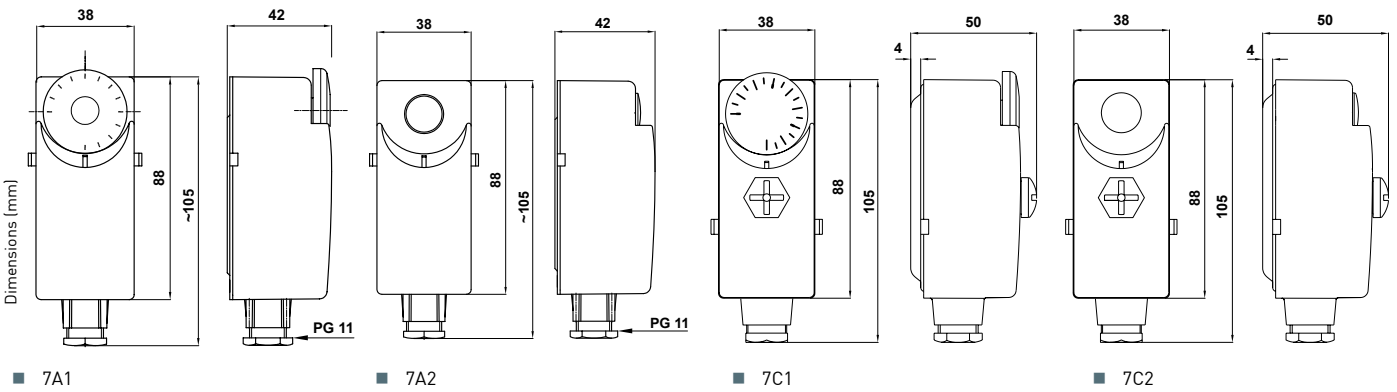
## Contact control thermostats



CODE	ADJUSTMENT RANGE	TYPE OF SENSOR		TYPE OF ADJUSTMENT		PACK QTY
		liquid filled	bimetallic	internal	external	
7A1-1R306-00A	0 ÷ 90 °C		•		•	10
7A1-6R306-00A	0 ÷ 60 °C		•		•	10
7A2-10306-00A	0 ÷ 90 °C		•	•		10
7A2-60306-00A	0 ÷ 60 °C		•	•		10
7C1-1R306-50A	10 ÷ 90 °C	•			•	10
7C1-6R306-50A *	5 ÷ 60 °C	•			•	10
7C2-10306-50A	10 ÷ 90 °C	•		•		10
7C2-60306-50A *	5 ÷ 60 °C	•		•		10

\* price and delivery time upon request

- SPDT contacts: C/NO/NC.
- Contact rating 16(4)A 250Vca, 6(1)A 400Vca.
- Protection level IP40.
- The thermostat is supplied completed with fasten spring for fixing it in position and with a mono-dose thermal paste bag.
- Other temperature ranges and versions available on request.



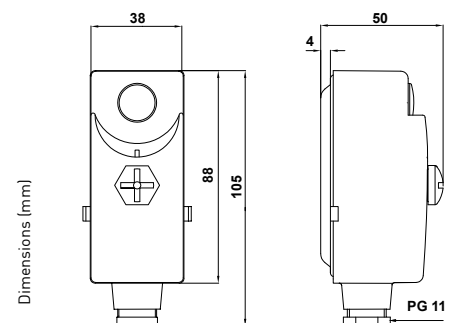
## Contact limit thermostats



CODE	ADJUSTMENT RANGE	TYPE OF SENSOR		RESET	PACK QTY
		liquid filled	bimetallic		
9C2-70306-50A	30 ÷ 70 °C	•		manual	10
9C6-55306-50A *	55 °C	•		manual	10
9C6-65306-50A *	65 °C	•		manual	10

\* price and delivery time upon request

- SPDT contacts: C/NO/NC.
- Contact rating 16(4)A 250Vca, 6(1)A 400Vca.
- Failure safe function.
- Protection level IP40.
- The thermostat is supplied completed with fasten spring for fixing it in position and with a mono-dose thermal paste bag.
- Other temperature ranges and versions available on request.



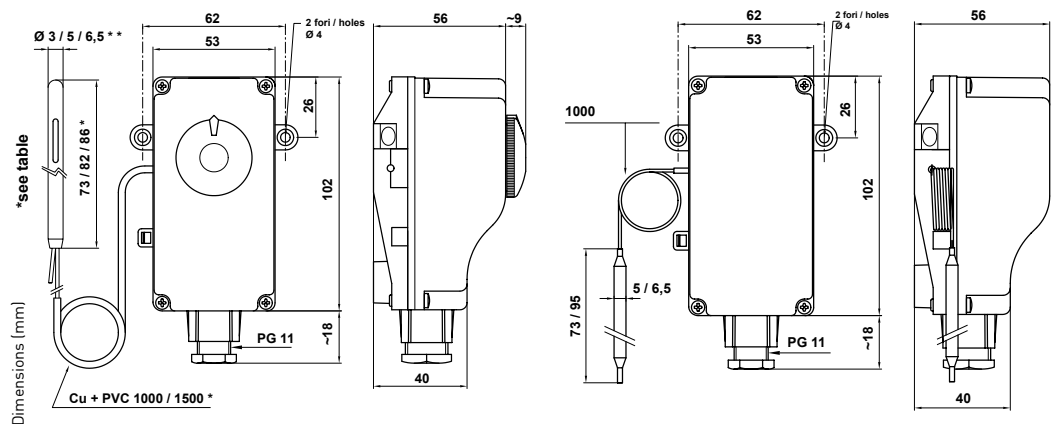
# Capillary control thermostats



CODE	ADJUSTMENT RANGE	PROTECTION LEVEL	TYPE OF ADJUSTMENT		BULB DIMENSIONS mm	CAPILLARY LENGTH mm	PACK QTY
			internal	external			
7K1-6R326-00A *	0 ÷ 60 °C	IP43		•	Ø 6.5 x 73	1000	10
7K1-1R326-00A	0 ÷ 90 °C			•	Ø 6.5 x 73	1000	10
7K1-1R336-00A	0 ÷ 90 °C				Ø 6.5 x 73	1500	10
7K1-XR338-01A *	0 ÷ 150 °C				Ø 5 x 86	1500	10
7K1-HR337-00A *	0 ÷ 300 °C				Ø 3 x 190 SST	1500	10
7K1-FR336-00A	-35 ÷ 35 °C				Ø 6.5 x 82	1500	10
7K1-6S326-00A	0 ÷ 60 °C				Ø 6.5 x 73	1000	10
7K1-6S326-01A *	0 ÷ 60 °C	IP55		•	Ø 5 x 95 SST	1000	10
7K1-1S326-00A	0 ÷ 90 °C			•	Ø 6.5 x 73	1000	10
7K1-FS336-00A *	-35 ÷ 35 °C				Ø 6.5 x 82	1500	10
7K2-60326-00A	0 ÷ 60 °C			•	Ø 6.5 x 73	1000	10
7K2-60326-01A *	0 ÷ 60 °C			•	Ø 5 x 95 SST	1000	10
7K2-10326-00A *	0 ÷ 90 °C			•	Ø 6.5 x 73	1000	10
7K6-05366-00A *	5 °C				fixed	Ø 6.5 x 73	3000

\* price and delivery time upon request

- SPDT contacts: C/NO/NC.
- Contact rating 16(4)A 250Vca, 6(1)A 400Vca.



■ 7K1

■ 7K2

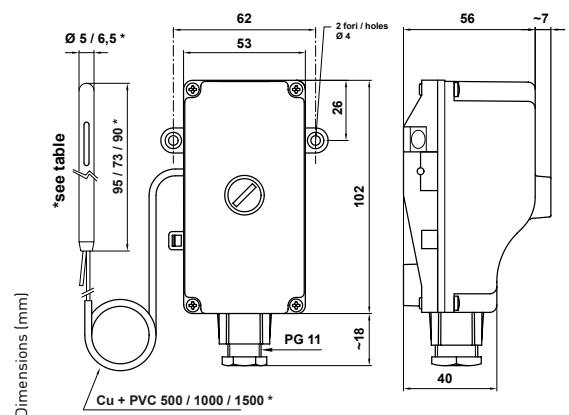
# Capillary limit thermostats with manual reset



CODE	ADJUSTMENT RANGE	PROTECTION LEVEL	TYPE OF ADJUSTMENT		BULB DIMENSIONS mm	CAPILLARY LENGTH mm	PACK QTY
			internal	external			
9K6-70316-00A *	70 °C	IP55		fixed	Ø 5 x 95 SST	500	10
9K6-99326-00A *	100 °C	IP55		fixed	Ø 6.5 x 73	1000	10
9K2-11326-00A	90 ÷ 110 °C	IP55	•		Ø 6.5 x 73	1000	10
SPECIAL MODEL - CHIMNEY LIMITER THERMOSTAT							
9K2-Q0836-00A *	70 ÷ 110 °C	IP55	•		Ø 5 x 90	1500	10

\* price and delivery time upon request

- Gold-plated contact version code 9K2-Q0836-00A.
- SPDT contacts: C/NO/NC.
- Contact rating 16(4)A 250Vca, 6(1)A 400Vca, with gold plated contacts 100mV=0.3 A.
- Failure safe function.
- Other temperature ranges and versions available on request.





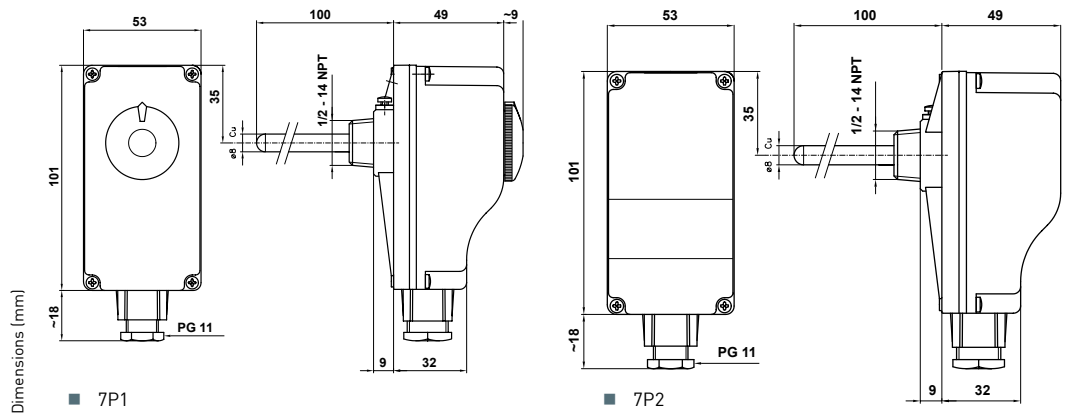
## Immersion control thermostats for direct mounting



CODE	ADJUSTMENT RANGE	PROTECTION LEVEL	TYPE OF ADJUSTMENT		CONNECTION	SHEATH mm	PACK QTY
			internal	external			
7P1-1R306-00A	0 ÷ 90 °C	IP43		•	R 1/2	100	10
7P1-6R306-00A *	0 ÷ 60 °C			•			
7P1-XR306-00A *	30 ÷ 70 °C			•			
7P2-10306-00A	0 ÷ 90 °C		•				
7P2-60306-00A *	0 ÷ 60 °C		•				
7P2-X0306-01A	20 ÷ 200 °C		•				

\* price and delivery time upon request

- SPDT contacts: C/NO/NC.
- Contact rating 16(4)A 250Vca, 6(1)A 400Vca.
- Other temperature ranges and versions available on request.
- Other sheath lengths available on request.



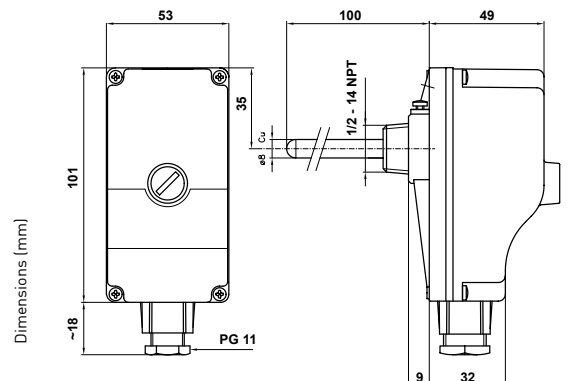
## Immersion limit thermostats with manual reset



CODE	ADJUSTMENT RANGE	PROTECTION LEVEL	TYPE OF ADJUSTMENT		CONNECTION	SHEATH mm	PACK QTY
			internal	external			
9P2-70307-00A *	30 ÷ 70 °C	IP43	•		R 1/2	100	10
9P2-11306-00A *	90 ÷ 100 °C	IP43	•		R 1/2	100	10
9P6-99306-00A	100 °C	IP43		fixed	R 1/2	100	10
9P6-11306-00A *	110 °C	IP43		fixed	R 1/2	100	10

\* price and delivery time upon request

- SPDT contacts: C/NO/NC.
- Contact rating 16 (4) A 250Vca, 6(1)A 400Vca.
- Failure safe function.
- Other temperature ranges and versions available on request.
- Other sheath lengths available on request.



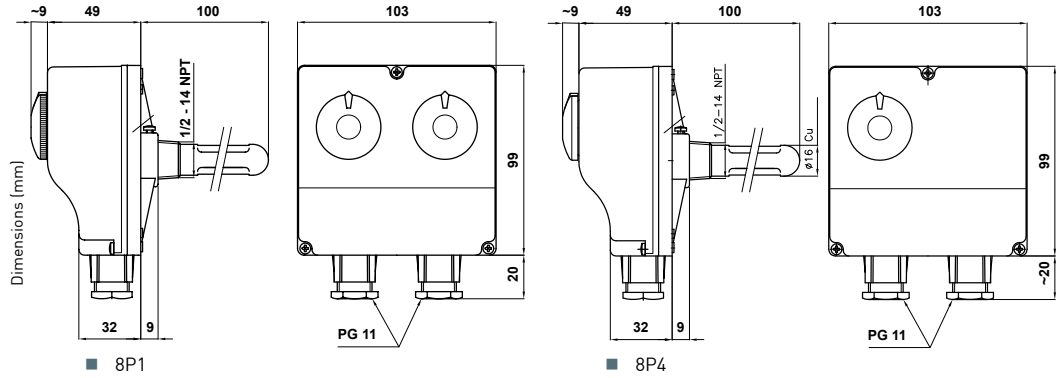
# Double immersion thermostats



CODE	T1 - CONTROL		T2 - CONTROL			PACK QTY		
	ADJUSTMENT RANGE	TYPE OF ADJUSTMENT	ADJUSTMENT RANGE	TYPE OF ADJUSTMENT			FUNCTION	
				internal	external		control	limit
8P1-BR606-00A	0 ÷ 60 °C	external	30 ÷ 120 °C		•	•	5	
8P1-ER606-00A	0 ÷ 90 °C		30 ÷ 120 °C		•	•	5	
8P4-BR606-00A *	0 ÷ 60 °C		30 ÷ 120 °C	•		•	•	5
8P4-ER606-00A	0 ÷ 90 °C		30 ÷ 120 °C	•		•	•	5

\* price and delivery time upon request

- Sheath length 100 mm.
- Connection R 1/2.
- Protection level IP43
- SPDT contacts: C/NO/NC (x2).
- Contact rating 16(4)A 250Vca, 6(1)A 400Vca
- Other temperature ranges and versions available on request.
- Other sheath lengths available on request.



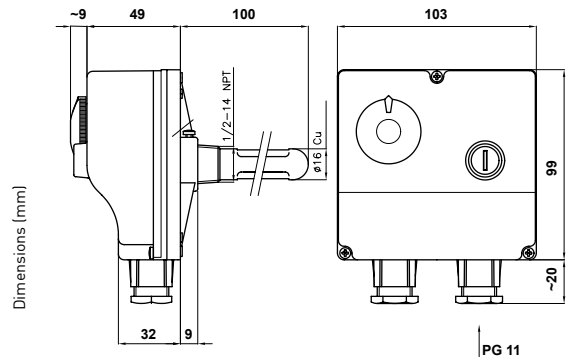
# Double immersion thermostats with manual reset (1 control + 1 limiter)



CODE	T1 - CONTROL		T2 - CONTROL / LIMIT			PACK QTY		
	ADJUSTMENT RANGE	TYPE OF ADJUSTMENT	ADJUSTMENT RANGE	TYPE OF ADJUSTMENT			FUNCTION	
				internal	external		T1	T2
8P5-CR606-00A *	0 ÷ 60 °C	external	100 °C	fixed	•	•	5	
8P5-OR606-00A	0 ÷ 90 °C		90 ÷ 110 °C		•	•	5	
8P6-MR606-00A *	0 ÷ 90 °C				•	•	5	

\* price and delivery time upon request

- Bulb length 100 mm.
- Connection R 1/2.
- Protection level IP43
- SPDT contacts: C/NO/NC (x2).
- Contact rating 16(4)A 250Vca, 6(1)A 400Vca
- Other temperature ranges and versions available on request.
- Other bulb lengths available on request.

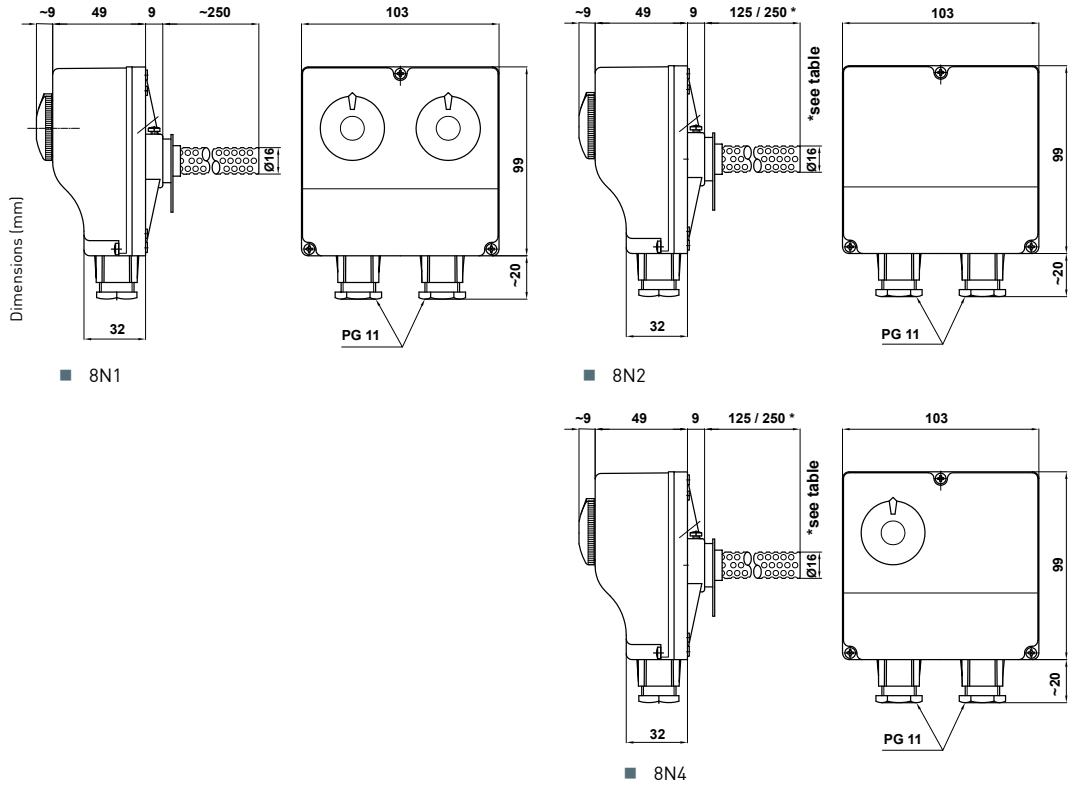


# Double hot air thermostats with perforated sheath (2 control)



CODE	T1 - CONTROL		T2 - CONTROL			DIMENS. SHEATH mm	PACK QTY		
	ADJUSTMENT RANGE	TYPE OF ADJUSTMENT		ADJUSTMENT RANGE	TYPE OF ADJUSTMENT			FUNCTION	
		internal	external		internal				external
8N1-BR6B6-00A			•			•	•	Ø16x250	5
8N2-B06A6-00A *			•		30 ÷ 120 °C	•	•	Ø16x125	5
8N2-B06B6-00A *	0 ÷ 60 °C		•			•	•	Ø16x250	5
8N4-BR6B6-00A				•		•	•	Ø16x250	5
8N4-XR6A6-00A *			•		0 ÷ 90 °C	•	•	Ø16x125	5

\* price and delivery time upon request



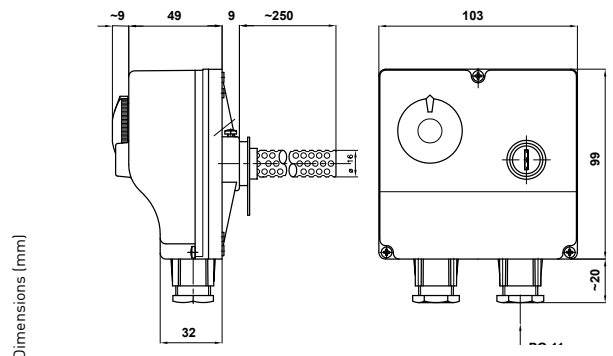
- Protection level IP43
- SPDT contacts: C/NO/NC (x2).
- Contact rating 16 (4) A 250Vca, 6(1)A 400Vca.
- Other temperature ranges and versions available on request.

# Double hot air thermostat with perforated sheath and manual reset (1 control + 1 limiter)



CODE	T1 - CONTROL		T2 -LIMITAT			PACK QTY					
	ADJUSTMENT RANGE	TYPE OF ADJUSTMENT		ADJUSTMENT RANGE	TYPE OF ADJUSTMENT		FUNCTION				
		internal	external		internal			external	T1	T2	
8N5-CR6B6-00A	0 ÷ 60 °C		•		100 °C	fixed	•	•	control	limiter	5

- Sheath dimensions Ø16x250 mm
- Protection level IP43
- SPDT contacts: C/NO/NC (x2).
- Contact rating 16(4)A 250Vca, 6(1)A 400Vca
- Other temperature ranges and versions available on request.



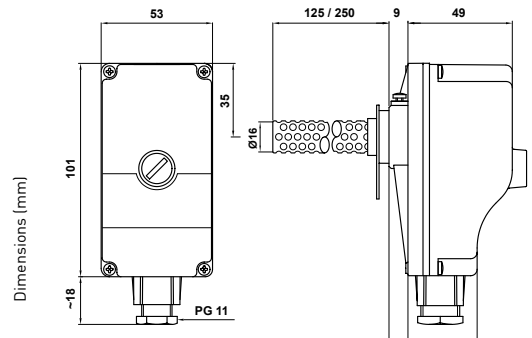
## Limit thermostats with perforated sheath and manual reset



CODE	ADJUSTMENT RANGE	PROTECTION LEVEL	TYPE OF ADJUSTMENT		DIMENSIONE SHEATH mm	PACK QTY
			internal	external		
9N2-Q03A6-00A *	70 ÷ 110 °C	IP40	•		∅ 16 x 125	10
9N2-X03A6-01A	80 ÷ 120 °C	IP40	•		∅ 16 x 125	10
9N2-X03A6-02A *	60 ÷ 100 °C	IP40	•		∅ 16 x 125	10
9N2-X03B6-01A *	80 ÷ 120 °C	IP40	•		∅ 16 x 250	5
9N6-993B6-00A *	100 °C fixed	IP40	•		∅ 16 x 250	5

\* price and delivery time upon request

- Failure safe function not available.
- Contact rating 16(4)A 250Vca, 6(1)A400Vca.



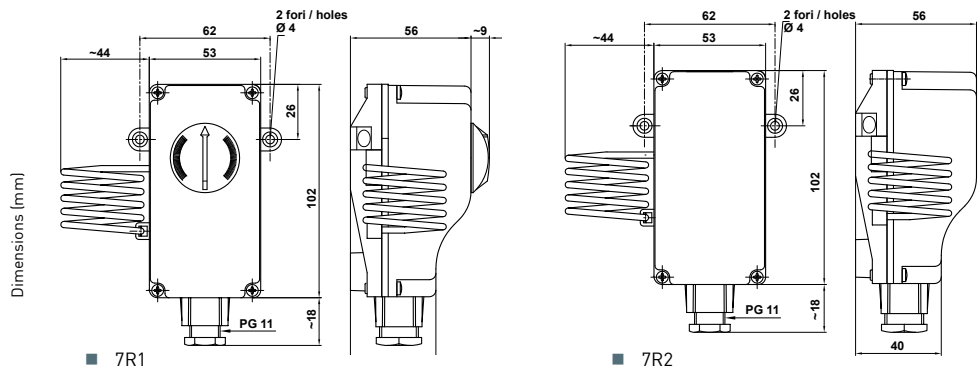
## Ambient thermostats in sealed container



CODE	TYPE OF ADJUSTMENT		ADJUSTMENT RANGE	SPIRAL BULB SENSING ELEMENT	PROTECTION LEVEL	PACK QTY
	internal	external				
7R1-5R306-00A		•	0 ÷ 40 °C	• stainless steel		10
7R1-6R306-00A		•	0 ÷ 60 °C	• stainless steel		10
7R1-XR306-00A		•	-15 ÷ 40 °C	• stainless steel	IP55	10
7R2-50306-00A *	•		0 ÷ 40 °C	• stainless steel		10
7R2-60306-00A	•		0 ÷ 60 °C	• stainless steel		10

\* price and delivery time upon request

- Gold-plated contact version 100mV ∴ 0.3 A code 7R1-XR806-00A.
- SPDT contacts.
- Contact rating 16(4)A 250Vca, 6(1)A400Vca.
- Other temperature ranges and versions available on request.



# CAPILLARY THERMOSTATS

## TG200 - Control thermostats, pin adjustment



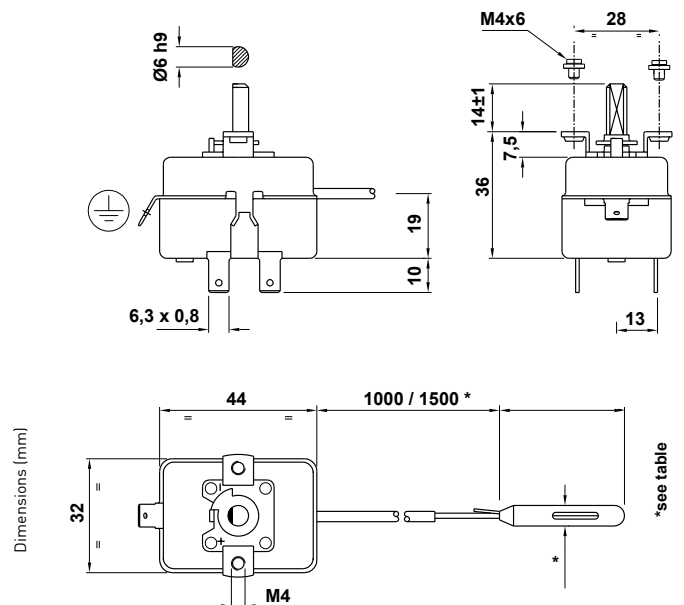
KIT - thermostat completed with frame, knob, screws, knob blocking spring

- "Compensated" versions available on request.
- Contact rating 16(4)A 250Vca, 6(1)A 400Vca, 100mV  $\approx$  0.3 A with gold plated contacts.
- Code 713-G1227-01A with G1/4 connection.
- Gas filled sensing element versions available on request
- Gold-plated contact versions available on request.

CE 0497

CODE	ADJUSTMENT RANGE/ CALIBRATION	CONTACTS		BULB		CAPILLARY		PACK QTY
		SPST	SPDT	dimensions mm	material	length mm	material	
711-F1328-00A	-35 ÷ 35 °C		•	Ø 6.5 x 83	Cu	1000	Cu + PVC	20
711-F1338-00A	-35 ÷ 35 °C		•	Ø 6.5 x 83	Cu	1500	Cu + PVC	20
711-51328-00A *	0 ÷ 40 °C		•	Ø 6.5 x 100	Cu	1000	Cu + PVC	50
711-51338-00A	0 ÷ 40 °C		•	Ø 6.5 x 100	Cu	1500	Cu + PVC	20
711-11328-00A	0 ÷ 90 °C		•	Ø 6.5 x 73	Cu	1000	Cu + PVC	20
711-11338-00A	0 ÷ 90 °C		•	Ø 6.5 x 73	Cu	1500	Cu + PVC	20
711-11338-00A	0 ÷ 90 °C		•	Ø 6.5 x 73	Cu	1500	Cu + PVC	50
711-71328-00A	0 ÷ 120 °C		•	Ø 6.5 x 73	Cu	1000	Cu + PVC	20
711-71338-00A	0 ÷ 120 °C		•	Ø 6.5 x 73	Cu	1500	Cu + PVC	20
711-G1329-00A *	0 ÷ 210 °C		•	Ø 5 x 80	Cu	1000	Cu	20
711-G1339-00A	0 ÷ 210 °C		•	Ø 5 x 80	Cu	1500	Cu	20
711-H1327-00A	0 ÷ 300 °C		•	Ø 3 x 190	Stainless steel	1000	SST	20
711-H1337-00A	0 ÷ 300 °C		•	Ø 3 x 190	Stainless steel	1500	SST	20
KIT - THERMOSTAT COMPLETED WITH FRAME, KNOB, SCREWS, KNOB BLOCKING SPRING								
711-51338-03A	0 ÷ 40 °C		•	Ø 6.5 x 100	Cu	1500	Cu + PVC	1
711-11338-04A	0 ÷ 90 °C		•	Ø 6.5 x 73	Cu	1500	Cu + PVC	1
711-71338-03A	0 ÷ 120 °C		•	Ø 6.5 x 73	Cu	1500	Cu + PVC	1
711-H1337-03A *	0 ÷ 300 °C		•	Ø 3 x 190	Stainless steel	1500	SST	1
711-11368-03A	0 ÷ 90 °C		•	Ø 6.5 x 73	Cu	3000	Cu + PVC	1
SPECIAL VERSIONS FOR HOT WATER CLEANERS - WITH M14X1 CONNECTOR								
711-X1338-02A	OFF/90		•	Ø 6 x 75	Cu	1500	Cu + PVC	50
711-71338-02A *	OFF/120		•	Ø 6 x 75	Cu	1500	Cu + PVC	20
711-X1338-01B	OFF/150		•	Ø 6 x 75	Cu	1500	Cu + PVC	50
SPECIAL VERSION FOR FRYER MACHINES								
713-11328-00A *	0 ÷ 90 °C		Gold plated	Ø 6.5 x 73	Cu	1000	Cu + PVC	20
713-11338-00A *	0 ÷ 90 °C		Gold plated	Ø 6.5 x 73	Cu	1500	Cu + PVC	20
713-G1227-01A	0 ÷ 210 °C	Gold plated	SPST	Ø 5 x 95	Stainless steel	1000	SST	20
SPECIAL VERSION 62 ÷ 82 - WITH G 1/4 CONNECTOR								
711-X7328-03A	62 ÷ 82 °C		•	Ø 6 x 80	Cu	1000	Cu + PVC	20

\* price and delivery time upon request

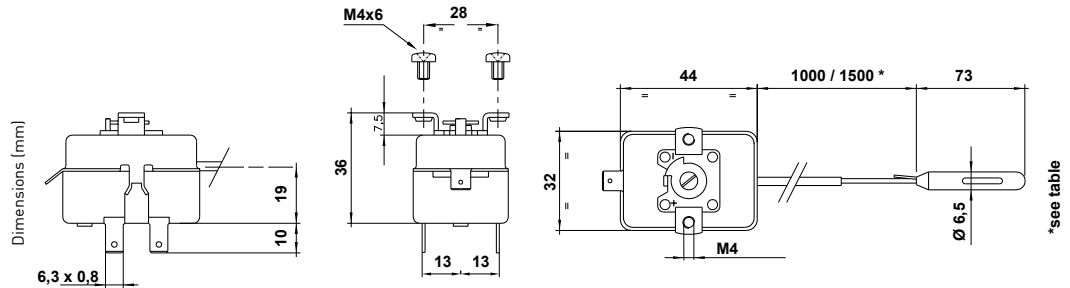


## TG200 - Control thermostats, screwdriver adjustment



CODE	ADJUSTMENT RANGE/ CALIBRATION	CONTACTS		BULB		CAPILLARY		PACK QTY
		SPST	SPDT	dimensions mm	material	mm	material	
712-10328-V0A	0 ÷ 90 °C		•	∅ 6.5 x 73	Cu	1000	Cu + PVC	20
712-10338-00A	0 ÷ 90 °C		•	∅ 6.5 x 73	Cu	1500	Cu + PVC	50
712-10338-00A	0 ÷ 90 °C		•	∅ 6.5 x 73	Cu	1500	Cu + PVC	20

- "Compensated" versions available on request.
- Contact rating 16(4)A 250Vca, 6(1)A 400Vca, 100mV ∓ 0.3 A with gold plated contacts.
- Gas filled sensing element versions available on request.
- Gold-plated contact versions available on request.



CE 0497

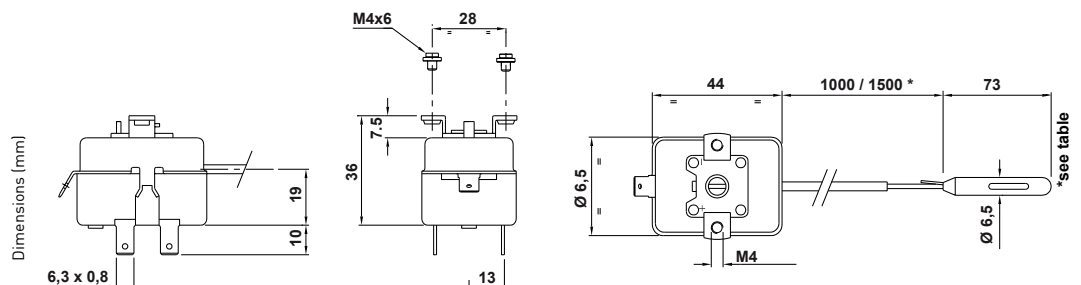
## TG200 - Control thermostats with fixed calibration



CODE	ADJUSTMENT RANGE/ CALIBRATION	CONTACTS		BULB		CAPILLARY		PACK QTY
		SPST	SPDT	dimensions mm	material	mm	material	
716-90328-00A *	90 °C		•	∅ 6.5 x 73	Cu	1000	Cu + PVC	50
716-90338-00A *	90 °C		•	∅ 6.5 x 73	Cu	1500	Cu + PVC	50
716-99338-00A *	100 °C		•	∅ 6.5 x 73	Cu	1500	Cu + PVC	50

\* price and delivery time upon request

- Contact rating 16(4)A 250Vca, 6(1)A 400Vca.
- Gas filled sensing element versions available on request.
- Gold-plated contact versions available on request.



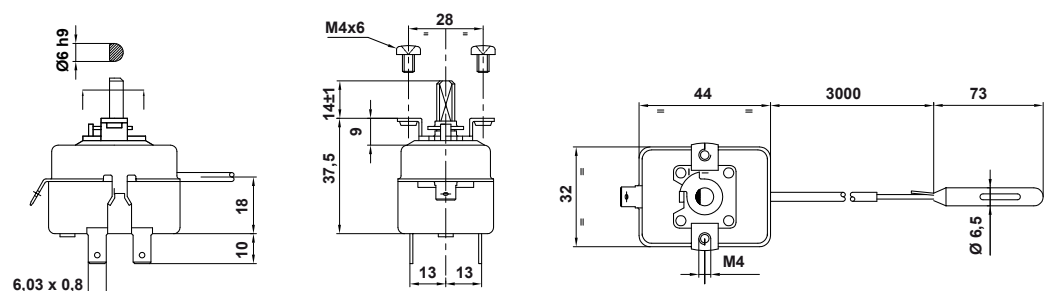
CE 0497

## TG200 - Control thermostats with "compensation"



CODE	ADJUSTMENT RANGE/ CALIBRATION	CONTACTS		BULB		CAPILLARY		PACK QTY
		SPST	SPDT	mm	material	mm	material	
751-11368-00A *	0 ÷ 90 °C		•	∅ 6.5 x 73	Cu	3000	Cu + PVC	50

\* price and delivery time upon request



- Contact rating 16(4)A 250Vca, 6(1)A 400Vca.

CE 0497

## TG300 - Control thermostats, compact series

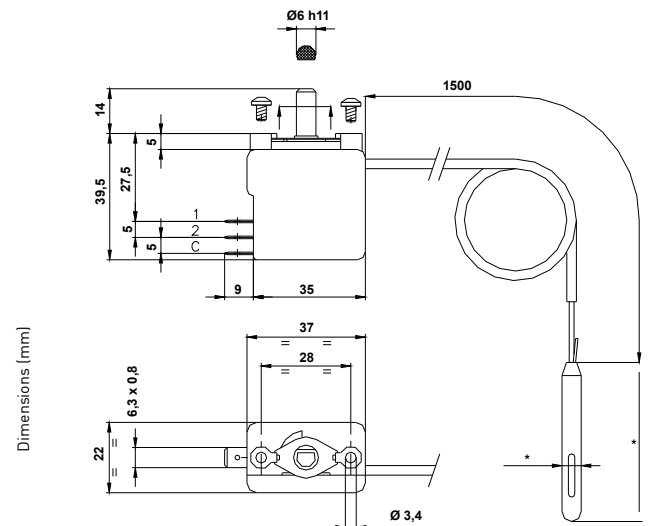


- SPDT contacts.
- Contact rating 16(4)A 250Vca, 6(1)A 400Vca.
- Gold-plated contact versions available on request.
- Different capillary lengths available on request.

CODE	ADJUSTMENT RANGE/ CALIBRATION	TYPE OF ADJUSTMENT/CALIBRATION			BULB		CAPILLARY		PACK QTY
		pin	screwdriver	fixed	dimensions mm	material	mm	material	
7A11-F1338-00A *	-35 ÷ 35 °C	•			∅ 6.5 x 83				50
7A11-51338-00A	0 ÷ 40 °C	•			∅ 6.5 x 100				50
7A11-11338-00B	0 ÷ 90 °C	•			∅ 6.5 x 73	Cu		Cu + PVC	50
7A12-10338-00B *	50 ÷ 90 °C		•				1500		50
7A11-G1339-00A *	0 ÷ 210 °C	•			∅ 5 x 80			Cu	50
7A11-H1337-00B *	0 ÷ 300 °C	•			∅ 3 x 190	SST		SST	50
7A16-90338-00A *	90 °C			•	∅ 6.5 x 73	Cu		Cu + PVC	50

\* price and delivery time upon request

CE 0497



## TG400 - Limit thermostats, fixed calibration with manual reset



- Failure Safe function not available on code 973-2X227-02A.
- "Compensated" versions available on request.
- Contact Rating 16 (4) A 250Vca, with gold plated contacts 100mA ÷ 0.3 A.
- Gold-plated contact versions available on request.

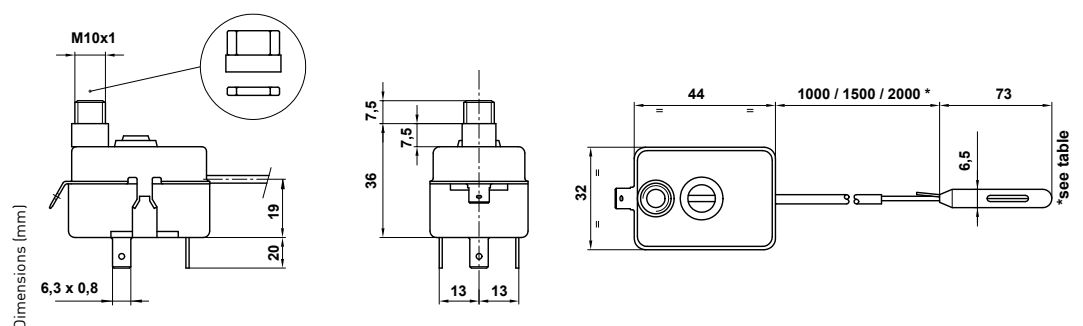
CODE	ADJUSTMENT RANGE/ CALIBRATION	CONTACTS		BULB		CAPILLARY		PACK QTY
		ON/OFF	ON/OFF + service	dimensions mm	material	mm	material	
971-11338-V0A	110 °C		•	∅ 6.5 x 73	Cu	1500	Cu + PVC	20
971-11348-V0A	110 °C		•	∅ 6.5 x 73	Cu	2000	Cu + PVC	20
971-99228-00A *	100 °C	•		∅ 6.5 x 73	Cu	1000	Cu + PVC	50
971-99328-00A	100 °C		•	∅ 6.5 x 73	Cu	1000	Cu + PVC	20
971-99338-V0A	100 °C		•	∅ 6.5 x 73	Cu	1500	Cu + PVC	20
971-99338-00A	100 °C		•	∅ 6.5 x 73	Cu	1500	Cu + PVC	50
973-99238-00A *	100 °C	Gold plated		∅ 6.5 x 73	Cu	1500	Cu + PVC	20
973-99338-00A *	100 °C		Gold plated	∅ 6.5 x 73	Cu	1500	Cu + PVC	50
973-99348-01A	100 °C		Gold plated	∅ 6.5 x 73	Cu	2000	Cu + PVC	20
973-11348-00A *	110 °C		Gold plated	∅ 6.5 x 73	Cu	2000	Cu + PVC	20

SPECIAL VERSION FOR FRYER MACHINES - WITH G 1/4 CONNECTOR

973-2X227-02A *	235 °C	Gold plated		∅ 5 x 95	SST	1000	SST	50
-----------------	--------	-------------	--	----------	-----	------	-----	----

\* price and delivery time upon request

CE 0497



## TG400 - Limit thermostat, screwdriver adjustment and manual reset

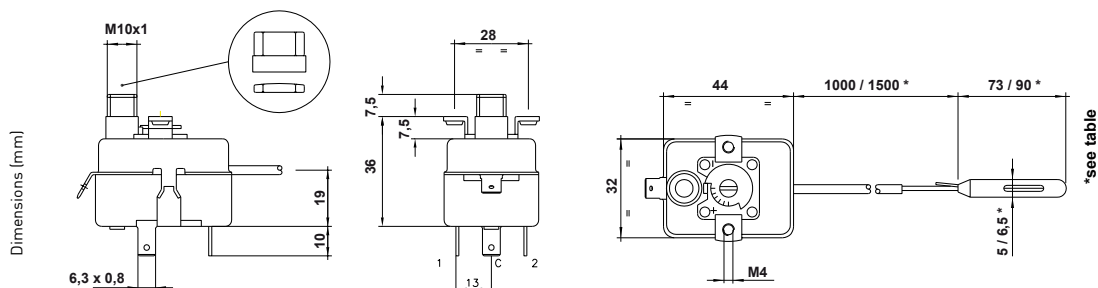


- "Compensated" versions available on request.
- Contact rating 16 (4) A 250Vca, with gold plated contacts 100mA 0.3 A.
- Gold-plated contact versions available on request.

CODE	ADJUSTMENT RANGE/ CALIBRATION	CONTACTS		BULB		CAPILLARY		PACK QTY
		ON/OFF	ON/OFF + service	dimensions mm	material	mm	material	
961-11228-00A *	90 ÷ 110 °C	•		Ø 6.5 x 73	Cu	1000	Cu + PVC	50
961-11328-00A	90 ÷ 110 °C		•	Ø 6.5 x 73	Cu	1000	Cu + PVC	50
961-11338-V0A	90 ÷ 110 °C	•		Ø 6.5 x 73	Cu	1500	Cu + PVC	20
961-11338-00A	90 ÷ 110 °C		•	Ø 6.5 x 73	Cu	1500	Cu + PVC	50
963-11328-V0A *	90 ÷ 110 °C		Gold plated	Ø 6.5 x 73	Cu	1000	Cu + PVC	20
963-11338-00A	90 ÷ 110 °C		Gold plated	Ø 6.5 x 73	Cu	1500	Cu + PVC	20
963-11338-03A	70 ÷ 110 °C		Gold plated	Ø 5 x 90	Cu	1500	Cu + PVC	20
961-90328-00A *	70 ÷ 90 °C	•		Ø 6.5 x 73	Cu	1000	Cu + PVC	50
961-90338-00A *	70 ÷ 90 °C		•	Ø 6.5 x 73	Cu	1500	Cu + PVC	50
963-90328-00A *	70 ÷ 90 °C		Gold plated	Ø 6.5 x 73	Cu	1000	Cu + PVC	50
963-90338-00A	70 ÷ 90 °C		Gold plated	Ø 6.5 x 73	Cu	1500	Cu + PVC	20
FLUE GAS SAFETY LIMITER VERSION - WITH WASHER AND PLATE FOR BULB FIXING								
961-11338-20B *	70 ÷ 110 °C		•	Ø 5 x 90	Cu	1500	Cu + PVC	50
963-11338-20B *	70 ÷ 110 °C		Gold plated	Ø 5 x 90	Cu	1500	Cu + PVC	50

\* price and delivery time upon request

CE 0497



## TG400 - Limit thermostat with fixed calibration without failure safe function

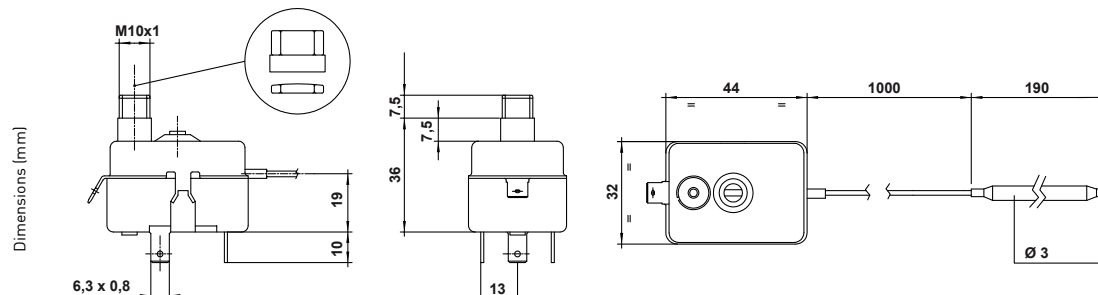


CODE	ADJUSTMENT RANGE/ CALIBRATION	RESET	CONTACTS		BULB		CAPILLARY		PACK QTY
			ON/OFF	ON/OFF + service	dimensions mm	material	mm	material	
991-30327-00A *	300 °C	manual	•		Ø 3 x 190	SST	1000	SST	20

\* price and delivery time upon request

- Contact rating 16(4)A 250Vca.

CE 0497





## TG400 - Limit thermostats with fixed calibration and failure safe function

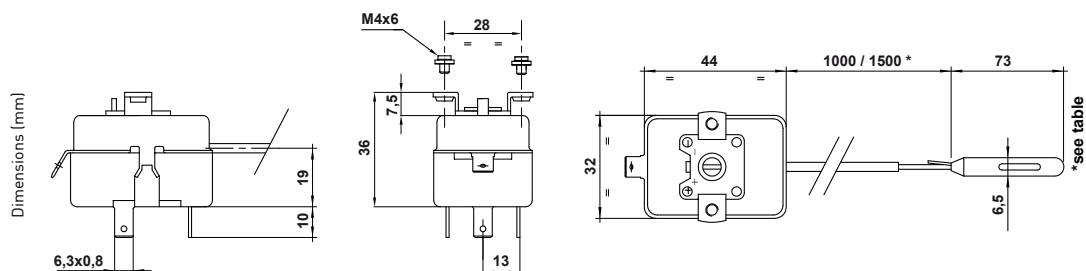


CODE	ADJUSTMENT RANGE/ CALIBRATION	RESET	CONTACTS		BULB		CAPILLARY		PACK QTY
			ON/OFF	ON/OFF + service	dimensions mm	material	mm	material	
972-80358-20A	80 °C	automatic		•	∅ 5x90	Cu	2500	Cu + PVC	20
972-99328-00A *	100 °C	automatic		•	∅ 6.5x73	Cu	1000	Cu + PVC	20
972-99338-00A *	100 °C	automatic		•	∅ 6.5x73	Cu	1500	Cu + PVC	50
974-99238-00A	100 °C	automatic	Gold plated		∅ 6.5x73	Cu	1500	Cu + PVC	50
974-99328-00A *	100 °C	automatic		Gold plated	∅ 6.5x73	Cu	1000	Cu + PVC	20
974-99338-00A *	100 °C	automatic		Gold plated	∅ 6.5x73	Cu	1500	Cu + PVC	20

\* price and delivery time upon request

- Contact rating 16(4)A 250Vca, with gold plated contacts 100mV ∓ 0.3 A.
- Code 972-80358-20A: fumes thermostat.

CE 0497



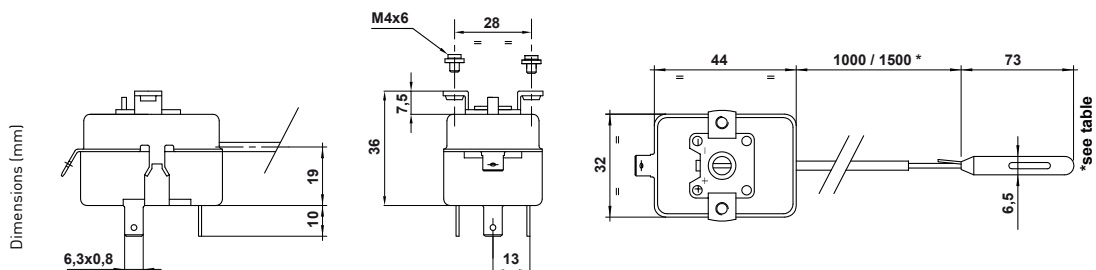
## TG400 - Limit thermostats with automatic reset and failure safe function



CODE	ADJUSTMENT RANGE/ CALIBRATION	CONTACTS		BULB		CAPILLARY		PACK QTY
		ON/OFF	ON/OFF + service	mm	material	mm	material	
962-11228-00A	90 ÷ 110 °C		•	∅ 6.5x73	Cu	1000	Cu + PVC	50
962-11238-00A	90 ÷ 110 °C		•	∅ 6.5x73	Cu	1500	Cu + PVC	50
962-11328-00A *	90 ÷ 110 °C		•	∅ 6.5x73	Cu	1000	Cu + PVC	20
962-11338-00A *	90 ÷ 110 °C		•	∅ 6.5x73	Cu	1500	Cu + PVC	50
964-11238-00A	90 ÷ 110 °C	Gold plated		∅ 6.5x73	Cu	1500	Cu + PVC	20
964-11328-00A *	90 ÷ 110 °C		Gold plated	∅ 6.5x73	Cu	1000	Cu + PVC	20
964-11338-00A *	90 ÷ 110 °C		Gold plated	∅ 6.5x73	Cu	1500	Cu + PVC	20

\* price and delivery time upon request

CE 0497



# TG400 - Limit thermostats with "compensation"

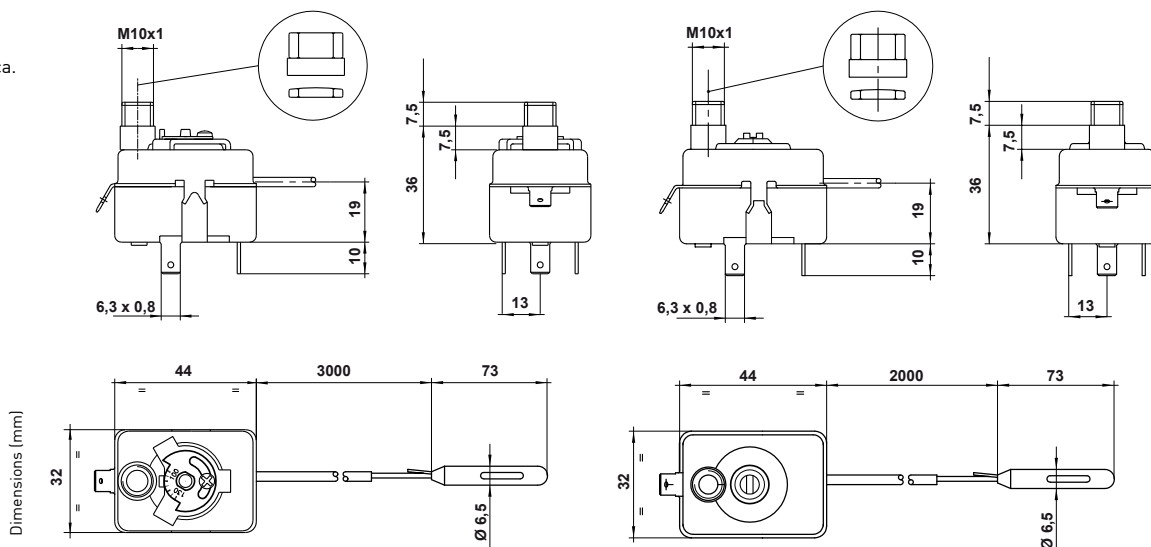


CODE	ADJUSTMENT RANGE/CALIBRATION	TYPE OF ADJUSTMENT/CALIBRATION		CONTACTS		BULB mm	CAPILLARY		PACK QTY
		screwdriver	fixed	ON/OFF	ON/OFF + service		mm	material	
975-11348-00A *	110 °C		•	•		∅ 6.5 x 73 Cu	2000	Cu + PVC	50
965-13368-02A *	100 ÷ 130 °C	•		•		∅ 6.5 x 73 Cu	3000	Cu + PVC	50

\* price and delivery time upon request

■ Contact rating 16(4)A 250Vca.

CE 0497



■ 965

■ 975

# TG500 - Limit thermostats with manual reset – compact series



CODE	ADJUSTMENT RANGE/CALIBRATION	TYPE OF ADJUSTMENT/CALIBRATION		CONTACTS	BULB mm	CAPILLARY		PACK QTY
		screwdriver	fixed			mm	mm	
9A71-11338-01A	110 °C		•	•	∅ 6,5 x 78	1500	Cu + PVC	50
9A71-99338-00B *	100 °C		•	•				50
9A73-99338-00A *	100 °C		•	Gold plated				50
9A61-11338-00A *	90 ÷ 110 °C	•		•	∅ 6,5 x 73 Cu	1500	Cu + PVC	50
9A63-11338-00A *	90 ÷ 110 °C	•		Gold plated				50
9A61-90338-00A *	70 ÷ 90 °C	•		•				50
9A63-90338-00A *	70 ÷ 90 °C	•		Gold plated				50

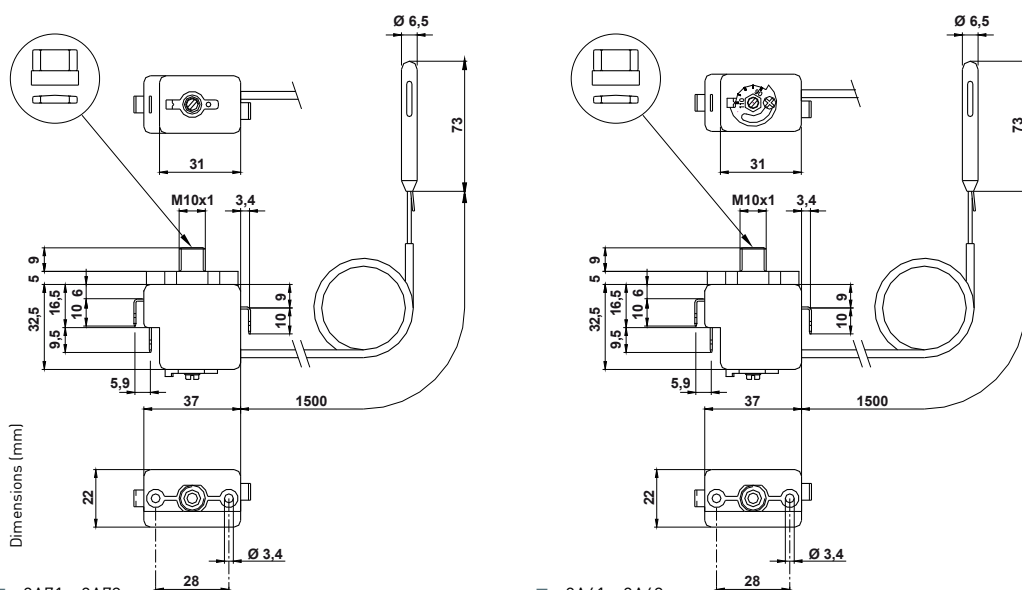
\* price and delivery time upon request

■ Contact rating 16 (4) A 250Vca, with gold plated contacts 100mV ∴ 0.3 A.

■ Failure safe function.

■ Gold-plated contact versions available on request.

CE 0497



■ 9A71 - 9A73

■ 9A61 - 9A63

# Knobs and frames for control thermostats



CODE	SPARE / ACCESSORY	PRINTING RANGE	PLASTIC COLOR	PRINTING COLOR	PACK QTY
6960-01-4A		-35 ÷ 35 °C			20
6960-02-4A		0 ÷ 40 °C			20
6960-03-4A		0 ÷ 90 °C			20
6960-04-4A *		40 ÷ 90 °C			20
6960-05-4A		0 ÷ 120 °C			20
6960-09-4A *	Knob	0 ÷ 90 °C	black	white	20
6960-19-4B		0 ÷ 210 °C			20
6960-07-4A		0 ÷ 300 °C			20
6962-00-4A		band			20
6963-03-4A		with index			20
6960-10-4A		OFF ÷ 150 °C			20
6960-17-4A *	For thermostat with gas filled	OFF ÷ 90 °C			20
4550-50-0B	Frame	-	black	-	20
4550-52-0A		-	chromate	-	20
4555-40-0B	Knob blocking spring	-	-	-	20
4550-80-0A	Knob blocking pin	-	-	-	20

\* price and delivery time upon request

## PRESSURE SWITCHES

### TG600 - Pressure switches

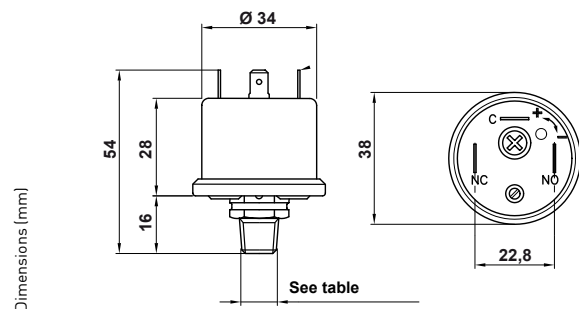


- Gold-plated contact versions available on request.
- Available calibrations low limit 0.3 ÷ 1.5 bar
- Available calibrations high limit 1 ÷ 6 bar.
- Available connections: R 1/8 (ch14) - G 1/4 (ch17) + specials on request.

CODE	FUNCTION		CALIBRATION SETPOINT bar	RESET		CONTACTS		CONNECTION	PACK QTY
	low limit	high limit		automatic	manual	SPST	SPDT		
250-05301-10A	•		0.5 bar	•			•	R 1/4	30
250-08301-10A	•		0.8 bar	•			•	R 1/4	30
251-05301-10A	•		0.5 bar	•			•	R 1/8	150
251-08301-10A *	•		0.8 bar	•			•	R 1/8	30
250-10300-10A		•	1 bar	•			•	R 1/4	30
250-10301-10A	•		1 bar	•			•	R 1/4	30
251-10301-10A *	•		1 bar	•			•	R 1/8	30
255-08301-10A *	•		0.8 bar	•			Gold-plated	R 1/4	30
280-35200-10A *		•	3.5 bar		•	•		R 1/4	30
281-35200-10A *		•	3.5 bar		•	•		R 1/8	30
4790-15-1A	Tri-pole connector with cable, length 1m								100

\* price and delivery time upon request

CE 0497



# CAPILLARY MEASUREMENT INSTRUMENTS

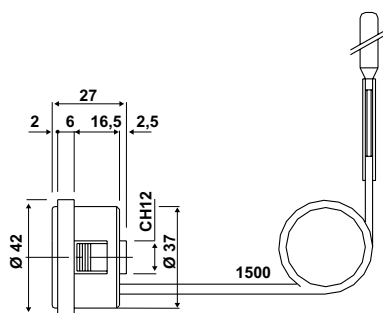
## Thermometers with round dial



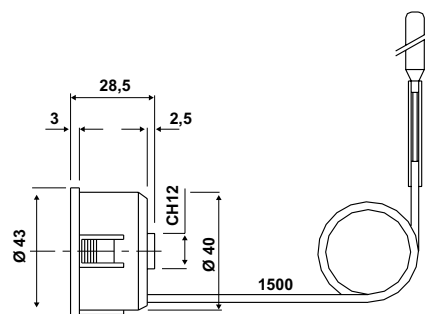
- Dial in white color.
- Font inscription: DIN.
- Fixing bracket available on request for codes 110... and 150...
- Functional and artwork custom solutions are available.

CODE	TEMPERATURE RANGE	DIAL	DIAL	INSCRIPTION	FRAME	BULB	CAPILLARY		FLUSH WALL	PACK QTY
		mm	color				color	color		
113-00326-00A *	-40 ÷ 40 °C	Ø 42	□	■ ■ ■	□	Ø 8.5 x 30 Cu	1000	Cu + PVC	Ø 37	50
113-00335-00A *	-40 ÷ 40 °C	Ø 42	□	■ ■ ■	■	Ø 8.5 x 30 Cu	1500	Cu + PVC	Ø 37	50
113-00336-00A *	-40 ÷ 40 °C	Ø 42	□	■ ■ ■	□	Ø 8.5 x 30 Cu	1500	Cu + PVC	Ø 37	50
113-10125-00A	0 ÷ 120 °C	Ø 42	□	■	■	Ø 6.5 x 30 Cu	1000	Cu + PVC	Ø 37	50
113-10126-00A *	0 ÷ 120 °C	Ø 42	□	■	□	Ø 6.5 x 30 Cu	1000	Cu + PVC	Ø 37	50
113-10135-00A	0 ÷ 120 °C	Ø 42	□	■	■	Ø 6.5 x 30 Cu	1500	Cu + PVC	Ø 37	50
113-10136-00A *	0 ÷ 120 °C	Ø 42	□	■	□	Ø 6.5 x 30 Cu	1500	Cu + PVC	Ø 37	50
115-00326-00A *	-40 ÷ 40 °C	Ø 43	□	■ ■ ■	□	Ø 8.5 x 30 Cu	1000	Cu + PVC	Ø 40	50
115-00336-00A *	-40 ÷ 40 °C	Ø 43	□	■ ■ ■	□	Ø 8.5 x 30 Cu	1500	Cu + PVC	Ø 40	50
115-10025-00A *	0 ÷ 120 °C	Ø 43	■	□	■	Ø 6.5 x 30 Cu	1000	Cu + PVC	Ø 40	50
115-10035-00A *	0 ÷ 120 °C	Ø 43	■	□	■	Ø 6.5 x 30 Cu	1500	Cu + PVC	Ø 40	50
115-10126-00A *	0 ÷ 120 °C	Ø 43	□	■	□	Ø 6.5 x 30 Cu	1000	Cu + PVC	Ø 40	50
115-10135-00A *	0 ÷ 120 °C	Ø 43	□	■	■	Ø 6.5 x 30 Cu	1500	Cu + PVC	Ø 40	50
110-00326-00A *	-40 ÷ 40 °C	Ø 57	□	■ ■ ■	□	Ø 8.5 x 30 Cu	1000	Cu + PVC	Ø 52	50
110-00335-00A *	-40 ÷ 40 °C	Ø 57	□	■ ■ ■	■	Ø 8.5 x 30 Cu	1500	Cu + PVC	Ø 52	50
110-00336-00A	-40 ÷ 40	Ø 57	□	■ ■ ■	□	Ø 8.5 x 30 Cu	1500	Cu + PVC	Ø 52	50
110-10025-00A	0 ÷ 120 °C	Ø 57	■	□	■	Ø 6.5 x 30 Cu	1000	Cu + PVC	Ø 52	50
110-10125-00A	0 ÷ 120 °C	Ø 57	□	■	■	Ø 6.5 x 30 Cu	1000	Cu + PVC	Ø 52	50
110-10126-00A *	0 ÷ 120 °C	Ø 57	□	■	□	Ø 6.5 x 30 Cu	1000	Cu + PVC	Ø 52	50
110-10135-00A	0 ÷ 120 °C	Ø 57	□	■	■	Ø 6.5 x 30 Cu	1500	Cu + PVC	Ø 52	50
110-10136-00A *	0 ÷ 120 °C	Ø 57	□	■	□	Ø 6.5 x 30 Cu	1500	Cu + PVC	Ø 52	50
110-40025-00A *	50 ÷ 350 °C	Ø 57	■	□	■	Ø 3 x 80 SST	1000	SST	Ø 52	50
110-40125-00A *	50 ÷ 350 °C	Ø 57	□	■	■	Ø 3 x 80 SST	1000	SST	Ø 52	50
110-40126-00A *	50 ÷ 350 °C	Ø 57	□	■	□	Ø 3 x 80 SST	1000	SST	Ø 52	50
110-40135-00A	50 ÷ 350 °C	Ø 57	□	■	■	Ø 3 x 80 SST	1500	SST	Ø 52	50
110-40136-00A *	50 ÷ 350 °C	Ø 57	□	■	□	Ø 3 x 80 SST	1500	SST	Ø 52	50

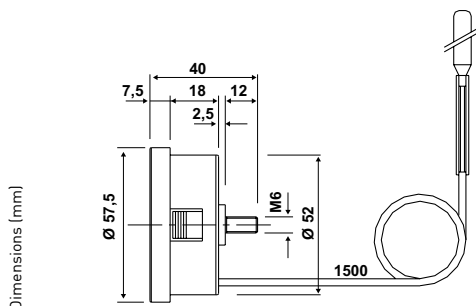
\* price and delivery time upon request



■ 113...



■ 115...



■ 110...

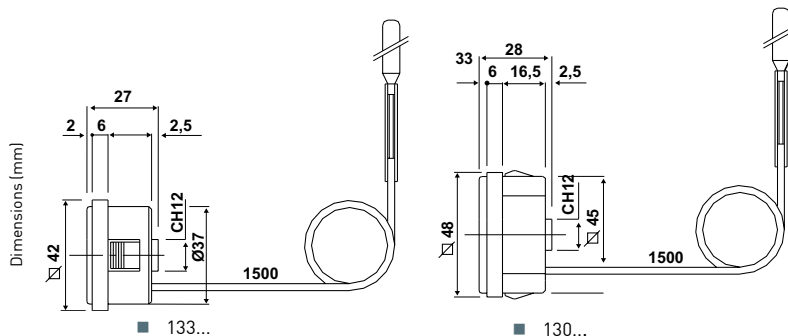
## Thermometers with square dial



- Functional and artwork custom solutions are available.

CODE	TEMPERATURE RANGE	DIAL mm	INSCRIPTION color	FRAME color	BULB mm	CAPILLARY		FLUSH WALL mm	PACK QTY	
						mm	material			
133-00326-00A *	-40 ÷ 40 °C	42 x 42	blue, red	white	Ø 8.5 x 30	Cu	1000	Cu + PVC	Ø 37	50
133-00336-00A *	-40 ÷ 40 °C	42 x 42	blue, red	white	Ø 8.5 x 30	Cu	1500	Cu + PVC	Ø 37	50
133-10035-00A *	0 ÷ 120 °C	42 x 42	black	black	Ø 6.5 x 30	Cu	1500	Cu + PVC	Ø 37	50
130-00326-00A *	0 ÷ 120 °C	48 x 48	blue, red	white	Ø 6.5 x 30	Cu	1000	Cu + PVC	45 x 45	50
130-00336-00A *	-40 ÷ 40 °C	48 x 48	blue, red	white	Ø 8.5 x 30	Cu	1500	Cu + PVC	45 x 45	50
130-10025-00A *	0 ÷ 120 °C	48 x 48	black	black	Ø 6.5 x 30	Cu	1000	Cu + PVC	45 x 45	50
130-10035-00A *	0 ÷ 120 °C	48 x 48	black	black	Ø 6.5 x 30	Cu	1500	Cu + PVC	45 x 45	50
130-10125-00A *	0 ÷ 120 °C	48 x 48	black	black	Ø 6.5 x 30	Cu	1000	Cu + PVC	45 x 45	50
130-10135-00A	0 ÷ 120 °C	48 x 48	black	black	Ø 6.5 x 30	Cu	1500	Cu + PVC	45 x 45	50

\* price and delivery time upon request



■ 133...

■ 130...

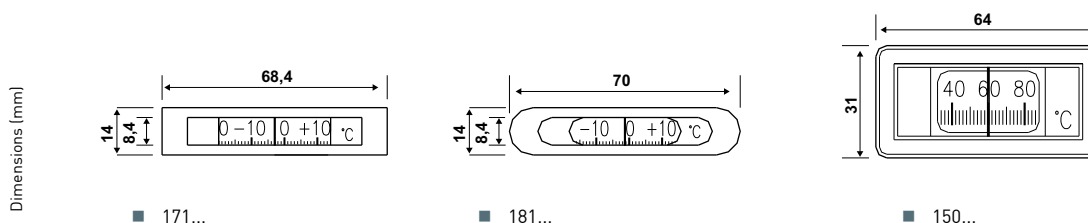
## Thermometers with rectangular dial



- Fixing bracket available on request for codes 110... and 150...
- Functional and artwork custom solutions are available.

CODE	TEMPERATURE RANGE	DIAL mm	INSCRIPTION color	FRAME color	BULB mm	CAPILLARY		FLUSH WALL mm	PACK QTY		
						mm	material				
171-05326-00A *	-40 ÷ 40 °C	14 x 68	digital	blue, red	white	Ø 8.5 x 30	Cu	1000	Cu + PVC	11 x 62	10
171-05336-00A *	-40 ÷ 40 °C	14 x 68	digital	blue, red	white	Ø 8.5 x 30	Cu	1500	Cu + PVC	11 x 62	50
171-10125-00A *	0 ÷ 120 °C	14 x 68	black	black	Ø 6.5 x 30	Cu	1000	Cu + PVC	11 x 62	100	
171-10135-00A	0 ÷ 120 °C	14 x 68	black	black	Ø 6.5 x 30	Cu	1500	Cu + PVC	11 x 62	50	
171-17126-00A *	0 ÷ 120 °C	14 x 68	vertical	black	white	Ø 6.5 x 30	Cu	1000	Cu + PVC	11 x 62	100
181-05326-00A *	-40 ÷ 40 °C	14 x 70	digital	blue, red	white	Ø 8.5 x 30	Cu	1000	Cu + PVC	11 x 62	100
181-05336-00A *	-40 ÷ 40 °C	14 x 70	digital	blue, red	white	Ø 8.5 x 30	Cu	1500	Cu + PVC	11 x 62	50
181-10125-00A *	0 ÷ 120 °C	14 x 70	black	black	Ø 6.5 x 30	Cu	1000	Cu + PVC	11 x 62	100	
181-10126-00A *	0 ÷ 120 °C	14 x 70	black	black	Ø 6.5 x 30	Cu	1000	Cu + PVC	11 x 62	100	
181-10135-00A	0 ÷ 120 °C	14 x 70	black	black	Ø 6.5 x 30	Cu	1500	Cu + PVC	11 x 62	50	
181-17126-00A *	0 ÷ 120 °C	14 x 70	vertical	black	white	Ø 6.5 x 30	Cu	1000	Cu + PVC	11 x 62	50
150-00335-00A *	-40 ÷ 40 °C	31 x 64	black	blue, red	black	Ø 8.5 x 30	Cu	1500	Cu + PVC	25 x 58	50
150-05326-00A *	-40 ÷ 40 °C	31 x 64	digital	blue, red	white	Ø 8.5 x 30	Cu	1000	Cu + PVC	25 x 58	50
150-05336-00A *	-40 ÷ 40 °C	31 x 64	digital	blue, red	white	Ø 8.5 x 30	Cu	1500	Cu + PVC	25 x 58	50
150-10035-00A	0 ÷ 120 °C	31 x 64	black	black	Ø 6.5 x 30	Cu	1500	Cu + PVC	25 x 58	50	
150-10045-00A	0 ÷ 120 °C	31 x 64	black	black	Ø 6.5 x 30	Cu	2000	Cu + PVC	25 x 58	50	
150-10125-00A *	0 ÷ 120 °C	31 x 64	black	black	Ø 6.5 x 30	Cu	1000	Cu + PVC	25 x 58	50	
150-10135-00A	0 ÷ 120 °C	31 x 64	black	black	Ø 6.5 x 30	Cu	1500	Cu + PVC	25 x 58	50	
150-17025-00A *	0 ÷ 120 °C	31 x 64	vertical	black	white	Ø 6.5 x 30	Cu	1000	Cu + PVC	25 x 58	50

\* price and delivery time upon request



■ 171...

■ 181...

■ 150...

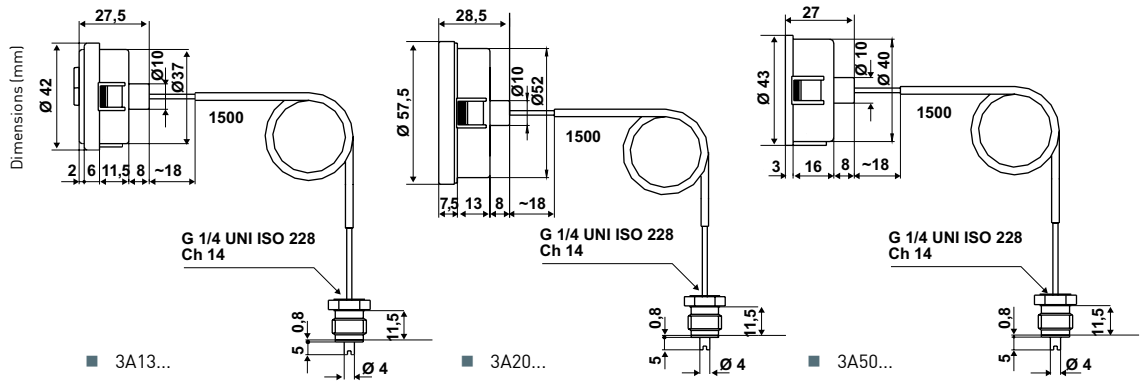
# Pressure gauges with round dial



- Fixing bracket available on request only for codes: 320...
- Polythene capillary versions available on request.
- Functional and artwork custom solutions are available.

CODE	RANGE bar	DIAL mm	INSCRIPTION color	FRAME color	CONNECTION	CAPILLARY		FLUSH WALL mm	PACK QTY
						mm	material		
3A13-70035-00A *	0 ÷ 4	∅ 42	■ □	■ □	G 1/4	1500	Cu + PVC grey	∅ 37	50
3A13-70125-00A *	0 ÷ 4	∅ 42	□ ■	■ ■	G 1/4	1000	Cu + PVC grey	∅ 37	50
3A13-70126-00A *	0 ÷ 4	∅ 42	□ ■	□ □	G 1/4	1000	Cu + PVC grey	∅ 37	50
3A13-70135-00A *	0 ÷ 4	∅ 42	□ ■	■ ■	G 1/4	1500	Cu + PVC grey	∅ 37	50
3A13-80125-00A *	0 ÷ 6	∅ 42	□ ■	■ ■	G 1/4	1000	Cu + PVC grey	∅ 37	50
3A13-80126-00A *	0 ÷ 6	∅ 42	□ ■	□ □	G 1/4	1000	Cu + PVC grey	∅ 37	50
3A13-80135-00A *	0 ÷ 6	∅ 42	□ ■	■ ■	G 1/4	1500	Cu + PVC grey	∅ 37	50
3A50-70035-00A *	0 ÷ 4	∅ 43	■ □	■ ■	G 1/4	1500	Cu + PVC grey	∅ 40	50
3A50-70125-00A *	0 ÷ 4	∅ 43	□ ■	■ ■	G 1/4	1000	Cu + PVC grey	∅ 40	50
3A50-70126-00A *	0 ÷ 4	∅ 43	□ ■	□ □	G 1/4	1000	Cu + PVC grey	∅ 40	50
3A50-70135-00A *	0 ÷ 4	∅ 43	□ ■	■ ■	G 1/4	1500	Cu + PVC grey	∅ 40	50
3A50-80125-00A *	0 ÷ 6	∅ 43	□ ■	■ ■	G 1/4	1000	Cu + PVC grey	∅ 40	50
3A50-80126-00A *	0 ÷ 6	∅ 43	□ ■	□ □	G 1/4	1000	Cu + PVC grey	∅ 40	50
3A50-80135-00A *	0 ÷ 6	∅ 43	□ ■	■ ■	G 1/4	1500	Cu + PVC grey	∅ 40	50
3A20-70035-00A *	0 ÷ 4	∅ 57	■ □	■ ■	G 1/4	1500	Cu + PVC grey	∅ 52	50
3A20-70125-00A	0 ÷ 4	∅ 57	□ ■	■ ■	G 1/4	1000	Cu + PVC grey	∅ 52	50
3A20-70126-00A	0 ÷ 4	∅ 57	□ ■	□ □	G 1/4	1000	Cu + PVC grey	∅ 52	50
3A20-70135-00A	0 ÷ 4	∅ 57	□ ■	■ ■	G 1/4	1500	Cu + PVC grey	∅ 52	50
3A20-80125-00A *	0 ÷ 6	∅ 57	□ ■	■ ■	G 1/4	1000	Cu + PVC grey	∅ 52	50
3A20-80126-00A *	0 ÷ 6	∅ 57	□ ■	□ □	G 1/4	1000	Cu + PVC grey	∅ 52	50
3A20-80135-00A	0 ÷ 6	∅ 57	□ ■	■ ■	G 1/4	1500	Cu + PVC grey	∅ 52	50

\* price and delivery time upon request



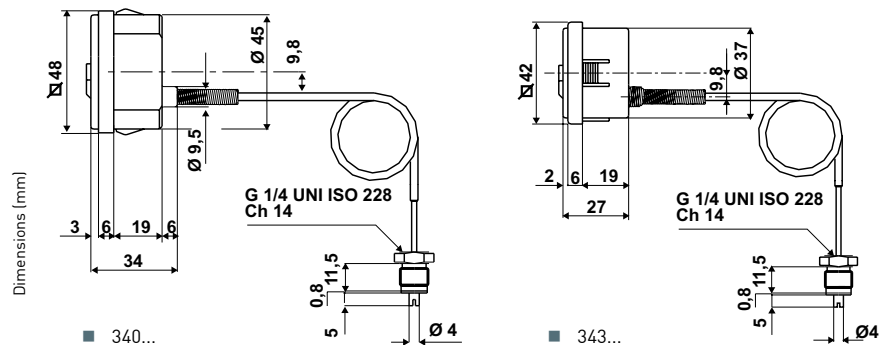
# Pressure gauges with square dial



- Polythene capillary versions available on request.
- Functional and artwork custom solutions are available.

CODE	RANGE bar	DIAL mm	INSCRIPTION color	FRAME color	CONNECTION	CAPILLARY		FLUSH WALL mm	PACK QTY
						mm	material		
343-70135-20A *	0 ÷ 4	42 x 42	■ □	■ ■	G 1/4	1500	Cu + PVC grey	∅ 37	50
343-80125-20A *	0 ÷ 6	42 x 42	□ ■	■ ■	G 1/4	1000	Cu + PVC grey	∅ 37	50
343-80135-20A *	0 ÷ 6	42 x 42	□ ■	■ ■	G 1/4	1500	Cu + PVC grey	∅ 37	50
340-70125-00A *	0 ÷ 4	48 x 48	■ □	■ ■	G 1/4	1000	Cu + PVC grey	45 x 45	50
340-70135-20A *	0 ÷ 4	48 x 48	□ ■	■ ■	G 1/4	1500	Cu + PVC grey	45 x 45	50
340-80125-20A *	0 ÷ 6	48 x 48	□ ■	■ ■	G 1/4	1000	Cu + PVC grey	45 x 45	50
340-80135-20A *	0 ÷ 6	48 x 48	□ ■	■ ■	G 1/4	1500	Cu + PVC grey	45 x 45	50

\* price and delivery time upon request



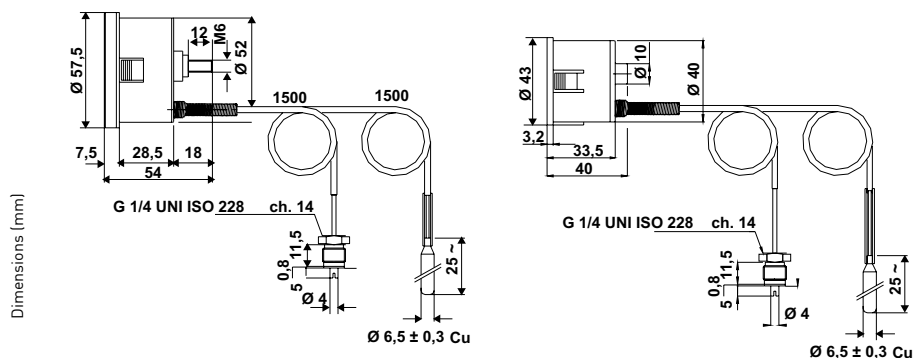
# Thermomanometers with round dial



- Bulb in Cu Ø 6.5 x 30.
- Fixing bracket available on request only for codes: 520...
- Functional and artwork custom solutions are available.

CODE	RANGE bar/°C	DIAL color and mm	INSCRIPTION color	FRAME color	CONNECTION	CAPILLARY		FLUSH WALL mm	PACK QTY
						mm	material		
560-70035-00A	* 0 ÷ 4 bar 0 ÷ 120°C	■ Ø 43	□	■	G 1/4	1500	Cu + PVC grey	Ø 40	50
560-70125-00A	0 ÷ 4 bar 0 ÷ 120°C	□ Ø 43	■	■	G 1/4	1000	Cu + PVC grey	Ø 40	50
560-70126-00A	0 ÷ 4 bar 0 ÷ 120°C	□ Ø 43	■	□	G 1/4	1000	Cu + PVC grey	Ø 40	50
560-70135-00A	0 ÷ 4 bar 0 ÷ 120°C	□ Ø 43	■	■	G 1/4	1500	Cu + PVC grey	Ø 40	50
560-70136-00A	0 ÷ 4 bar 0 ÷ 120°C	□ Ø 43	■	□	G 1/4	1500	Cu + PVC grey	Ø 40	50
560-80135-00A	* 0 ÷ 6 bar 0 ÷ 120°C	□ Ø 43	■	■	G 1/4	1500	Cu + PVC grey	Ø 40	50
560-70125-50A	* 0 ÷ 4 bar 0 ÷ 120°C	□ Ø 43	■	■	G 1/4	1000	Polythene	Ø 40	50
520-70135-00A	0 ÷ 4 bar 0 ÷ 120°C	□ Ø 57	■	■	G 1/4	1500	Cu + PVC grey	Ø 52	50
520-70136-00A	* 0 ÷ 4 bar 0 ÷ 120°C	□ Ø 57	■	□	G 1/4	1500	Cu + PVC grey	Ø 52	50
520-70125-00A	* 0 ÷ 4 bar 0 ÷ 120°C	□ Ø 57	■	■	G 1/4	1000	Cu + PVC grey	Ø 52	50
520-70126-00A	* 0 ÷ 4 bar 0 ÷ 120°C	□ Ø 57	■	□	G 1/4	1000	Cu + PVC grey	Ø 52	50
520-70025-00A	* 0 ÷ 4 bar 0 ÷ 120°C	■ Ø 57	□	■	G 1/4	1000	Cu + PVC grey	Ø 52	50
520-80135-00A	* 0 ÷ 6 bar 0 ÷ 120°C	□ Ø 57	■	■	G 1/4	1500	Cu + PVC grey	Ø 52	50
522-80125-00A	* 0 ÷ 6 bar 0 ÷ 120°C	□ Ø 57	■	■	M14x1 special	1000	Cu + PVC grey	Ø 52	50
520-87025-51A	* 0 ÷ 90 psi (0÷6 bar) 0 ÷ 120°C (40÷240°F)	■ Ø 57	□	■	G 1/4	1000	Polythene	Ø 52	50

\* price and delivery time upon request

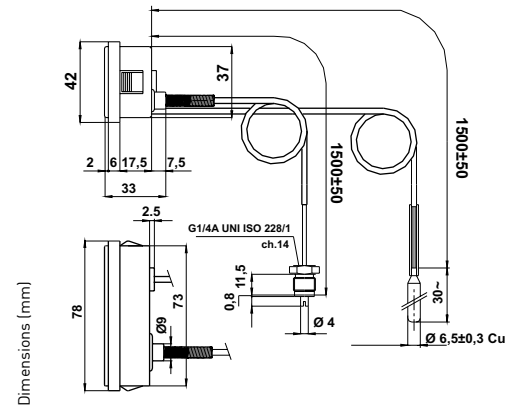


## Thermomanometers with rectangular dial



CODE	RANGE bar/°C	DIAL color and mm	INSCRIPTION color	FRAME color	CONNECTION	CAPILLARY		FLUSH WALL mm	PACK QTY
						mm	material		
540-70135-00A	0 ÷ 4 bar 0 ÷ 120°C	78 x 42	■	■	G 1/4	1500	Cu + PVC grey	73 x 37	40
540-80135-00A	0 ÷ 6 bar 0 ÷ 120°C	78 x 42	■	■	G 1/4	1500	Cu + PVC grey	73 x 37	40

- Bulb in Cu Ø 6.5 x 30.
- Functional and artwork custom solutions are available.



## Accessories for capillary thermometers, manometers, thermomanometers



CODE	DESCRIPTION	PACK QTY
4553-61-1B *	Female connector with longitudinal milling M14x1 F CH17	20
4553-62-0B *	Male connector with longitudinal milling M14x1 M CH14	20
4700-00-1A	Check valves with 1/2 - 14NPT x G 1/4 female CH21 connections	20
4700-01-8A *	Check valves with 1/2 - 14NPT x M14X1 female CH21 connections	20
4700-10-9A	Check valves with R 1/4 male x G 1/4 female CH17 connections	20
4550-20-7A	Bracket 520 for thermomanometers series 520	20
4550-10-8A *	Bracket 110 for thermometers series 110 and pressure gauges series 320	20
4550-15-7A	Bracket 150 for thermometers serie 150	20
4550-01-1A	Nut M6 for bracket fixing	20

\* price and delivery time upon request



# DIRECT CONNECTED PRESSURE GAUGES

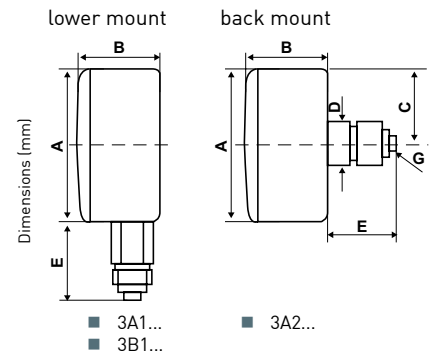
## Pressure gauges with red index



- Sensing element - Phosphor bronze Bourdon tube.
- Brass movement.
- Accuracy class 2.5.
- Brass connection.

CODE	RANGE	WINDOW	CONNECTOR POSITION	POINTER	INDEX	CASE	DIAL	CONNECTION	PACK QTY
	bar						mm		
3A1-24520-00A	0 ÷ 4								20
3A1-25520-00A	0 ÷ 6								20
3A1-26520-00A	0 ÷ 10	Polystyrene		Al	ABS	ABS	50 Ø ABS	G 1/4 B	20
3A1-27520-00A	0 ÷ 16								20
3A1-28520-00A	0 ÷ 25								20
3A1-32520-00A	0 ÷ 1.6								20
3A1-33520-00A	0 ÷ 2.5								20
3A1-34520-00A	0 ÷ 4								20
3A1-35520-00A	0 ÷ 6	Polystyrene		Al	ABS	ABS	63 Ø ABS	G 1/4 B	20
3A1-36520-00A	0 ÷ 10								20
3A1-37520-00A	0 ÷ 16								20
3A1-38520-00A	0 ÷ 25								20
3B1-42421-00A	0 ÷ 1.6								20
3B1-43421-00A	0 ÷ 2.5		lower mount						20
3B1-44421-00A	0 ÷ 4	Glass		Al	Al	Coated stainless steel	80 Ø Al	G 3/8 B	20
3B1-45421-00A	0 ÷ 6								20
3B1-46421-00A	0 ÷ 10								20
3B1-47421-00A	0 ÷ 16								20
3A1-52530-00A	0 ÷ 1.6								20
3A1-53530-00A	0 ÷ 2.5								20
3A1-54530-00A	0 ÷ 4								20
3A1-55530-00A	0 ÷ 6								20
3A1-56530-00A	0 ÷ 10	Polystyrene		Al	Al	ABS	100 Ø Al	G 1/2 B	20
3A1-57530-00A	0 ÷ 16								20
3A1-58530-00A	0 ÷ 25								20
3A1-59530-00A	0 ÷ 40								20
3A1-5A530-00A	0 ÷ 60								20
3A2-24520-00A	0 ÷ 4								20
3A2-25520-00A	0 ÷ 6								20
3A2-26520-00A	0 ÷ 10	Polystyrene		ABS	ABS	ABS	50 Ø ABS	G 1/4 B	20
3A2-27520-00A	0 ÷ 16								20
3A2-28520-00A	0 ÷ 25		back mount						20
3A2-34520-00A	0 ÷ 4								20
3A2-35520-00A	0 ÷ 6								20
3A2-36520-00A	0 ÷ 10	Polystyrene		ABS	ABS	ABS	63 Ø ABS	G 1/4 B	20
3A2-37520-00A	0 ÷ 16								20
3A2-38520-00A	0 ÷ 25								20

mm		ØA	B	C	D	E
50	lower	48.7	27	9.7	-	24.6
	back	48.7	27	24.1	14	23.3
63	lower	61.6	28	10	-	24.6
	back	61.6	28	30.3	14	23.3
80	lower	77	30.5	13.2	-	33
	back	77	28.5	-	-	18.5
100	lower	100.5	36.2	13.1	-	33



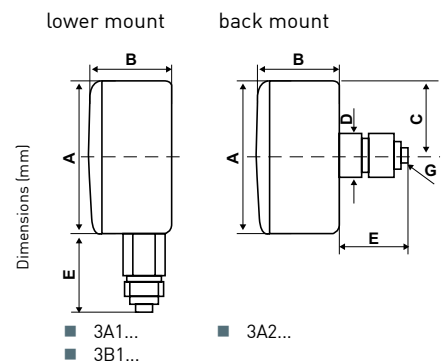
# Dual scale pressure gauges bar/psi



- Phosphor bronze Bourdon tube.
- Brass movement.
- Accuracy class 2.5
- Brass connection.

CODE	RANGE		WINDOW	CONNECTOR POSITION	POINTER	CASE	CONNECTION	DIAL	PACK QTY						
	BAR	PSI													
3A1-14310-00A	0 ÷ 4	0 ÷ 60							20						
3A1-15310-00A	0 ÷ 6	0 ÷ 100	Polystyrene	AL	ABS	G 1/8 B	Ø 40mm ABS		20						
3A1-16310-00A	0 ÷ 10	0 ÷ 160							20						
3A1-24320-00A	0 ÷ 4	0 ÷ 60							20						
3A1-25320-00A	0 ÷ 6	0 ÷ 100	Polystyrene	AL	ABS	G 1/4 B	Ø 50mm ABS		20						
3A1-26320-00A	0 ÷ 10	0 ÷ 160							20						
3A1-27320-00A	0 ÷ 16	0 ÷ 200							20						
3A1-32320-00A	0 ÷ 1.6	0 ÷ 20							20						
3A1-33320-00A	0 ÷ 2.5	0 ÷ 30							20						
3A1-34320-00A	0 ÷ 4	0 ÷ 60	Polystyrene	AL	ABS	G 1/4 B	Ø 63mm ABS		20						
3A1-35320-00A	0 ÷ 6	0 ÷ 100							20						
3A1-36320-00A	0 ÷ 10	0 ÷ 160							20						
3A1-37320-00A	0 ÷ 16	0 ÷ 200							20						
3B1-52330-00A	0 ÷ 1.6	0 ÷ 20							20						
3B1-53330-00A	0 ÷ 2.5	0 ÷ 30							20						
3B1-54330-00A	0 ÷ 4	0 ÷ 60							20						
3B1-55330-00A	0 ÷ 6	0 ÷ 100							20						
3B1-56330-00A	0 ÷ 10	0 ÷ 160	Glass	AL	coated stainless steel	G 3/8 B	Ø 100mm AL		20						
3B1-57330-00A	0 ÷ 16	0 ÷ 200							20						
3B1-58330-00A	0 ÷ 25	0 ÷ 400							20						
3B1-59330-00A	0 ÷ 40	0 ÷ 600							20						
3B1-5A330-00A	0 ÷ 60	0 ÷ 800							20						
3A2-14310-00A	0 ÷ 4	0 ÷ 60													20
3A2-15310-00A	0 ÷ 6	0 ÷ 100							Polystyrene	ABS	ABS	G 1/8 B	Ø 40mm ABS		20
3A2-16310-00A	0 ÷ 10	0 ÷ 160	20												
3A2-17310-00A	0 ÷ 16	0 ÷ 200	20												
3A2-24320-00A	0 ÷ 4	0 ÷ 60							20						
3A2-25320-00A	0 ÷ 6	0 ÷ 100	Polystyrene	ABS	ABS	G 1/4 B	Ø 50mm ABS		20						
3A2-26320-00A	0 ÷ 10	0 ÷ 160							20						
3A2-27320-00A	0 ÷ 16	0 ÷ 200							20						
3A2-32320-00A	0 ÷ 1.6	0 ÷ 20							20						
3A2-33320-00A	0 ÷ 2.5	0 ÷ 30							20						
3A2-34320-00A	0 ÷ 4	0 ÷ 60	Polystyrene	ABS	ABS	G 1/4 B	Ø 63mm ABS		20						
3A2-35320-00A	0 ÷ 6	0 ÷ 100							20						
3A2-36320-00A	0 ÷ 10	0 ÷ 160							20						
3A2-37320-00A*	0 ÷ 16	0 ÷ 200							20						

mm		ØA	B	C	D	E
40	lower	41.5	23.35	9.2	-	20.3
	back	41.5	27	20.1	14	20.3
50	lower	48.7	27	9.7	-	24.6
	back	48.7	27	24.1	14	23.3
63	lower	61.6	28	10	-	24.6
	back	61.6	28	30.3	14	23.3
100	lower	100.5	36.2	13.1	-	33



## Glycerin filled dual scale gauges in bar and psi/bar



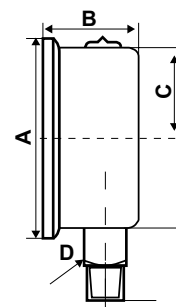
- Sensing element - Phosphor bronze Bourdon tube.
- Brass movement.
- Accuracy class 2.5.
- Stainless steel AISI 304 case
- Dial and pointer in aluminium.
- Brass connection G 1/4 B
- Polycarbonate window.

CODE	RANGE		DIAL	CONNECTOR POSITION	PACK QTY
	BAR	PSI			
3E1-31320-00A	0 ÷ 1	0 ÷ 15	Ø 63mm	lower	20
3E1-33320-00A	0 ÷ 2.5	0 ÷ 36			20
3E1-34320-00A	0 ÷ 4	0 ÷ 60			20
3E1-35320-00A	0 ÷ 6	0 ÷ 85			20
3E1-36320-00A	0 ÷ 10	0 ÷ 160			20
3E1-37320-00A	0 ÷ 16	0 ÷ 200			20
3E1-38320-00A	0 ÷ 25	0 ÷ 400			20
3E1-39320-00A	0 ÷ 40	0 ÷ 600			20
3E1-3A320-00A	0 ÷ 60	0 ÷ 800			20
3E1-3B320-00A *	0 ÷ 100	0 ÷ 1500			20
3E1-3C320-00A *	0 ÷ 160	0 ÷ 2300			20
3E1-3D320-00A *	0 ÷ 250	0 ÷ 3500			20

\* price and delivery time upon request

mm		ØA	B	C	D	E
63	lower			10.9		20.2
	back	67.7	32.7	31.1	14	24.5
	front			31.1		24.5

Dimensions (mm)



## Diaphragm gauges for gas

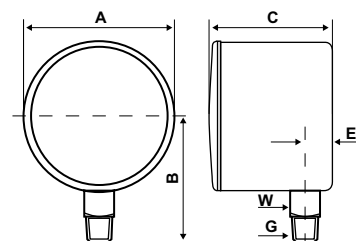


- Brass movement
- Accuracy class 2.5
- Dial and pointer in aluminium.
- Brass connection.

CODE	RANGE	CASE	CONNECTION	WINDOW	DIAL	CONNECTOR POSITION	PACK QTY
3G1-3A420-00A	0 ÷ 60	coated stainless steel	G 1/4 B	polycarbonate	Ø 63 mm	radial	20
3G1-3B420-00A	0 ÷ 100						20
3G1-3D420-00A	0 ÷ 250						20
3G1-3E420-00A	0 ÷ 400						20
3G1-3F420-00A	0 ÷ 600						20

mm	ØA	B	C	E	W
63	66.7	53.6	47	8	14.0
80	78.0	73.6	56.5	11.5	17.0
100	101.0	82.0	64.0	11.2	17.0

Dimensions (mm)



## Pressure gauges tap-holder



CODE	CONNECTION	PACK QTY
7750-14-0A	G 1/4 A	20
7750-38-0A	G 3/8 A	20
7750-12-0A	G 1/2 A	20

- Brass body.
- 3 way.
- Nominal pressure PN 25 bar.
- Flange DN 40 for check pressure gauges
- Male/female connection.

## Worm pipe - Shock absorber



CODE	CONNECTION	PACK QTY
7760-14-0A	G 1/4 A	20
7760-38-0A	G 3/8 A	20
7760-12-0A	G 1/2 A	20

- Nominal pressure PN 25 bar.
- Copper pipe.
- Brass connection male/fe

# ACCESSORIES

## Copper sheaths with brass connection



CODE	BULBS N.	Ø INTERNAL mm	Ø EXTERNAL mm	LENGHT mm	SHAPED	MALE CONNECTION	PACK QTY
4550-46-0A	1 x Ø 6.5 mm	7	8	100	no	1/2 - 14 NPT	20
4550-46-2A	1 x Ø 6.5 mm	7	8	50	no	1/2 - 14 NPT	20
4550-46-3A	1 x Ø 6.5 mm	7	8	120	no	1/2 - 14 NPT	20
4550-46-4A *	1 x Ø 6.5 mm	7	8	150	no	1/2 - 14 NPT	20
4550-46-6A	1 x Ø 6.5 mm	7	8	200	no	1/2 - 14 NPT	20
4550-30-0A *	1 x Ø 8.5 mm	8.5	10	50	no	1/2 - 14 NPT	20
4550-30-1A	1 x Ø 8.5 mm	8.5	10	100	no	1/2 - 14 NPT	20
4550-30-2A *	1 x Ø 8.5 mm	8.5	10	120	no	1/2 - 14 NPT	20
4550-30-3A	1 x Ø 8.5 mm	8.5	10	150	no	1/2 - 14 NPT	20
4550-30-4A	1 x Ø 8.5 mm	8.5	10	200	no	1/2 - 14 NPT	20
4550-40-0A	3 x Ø 6.5 mm	15	16	100	no	1/2 - 14 NPT	20
4550-40-2A	3 x Ø 6.5 mm	15	16	200	no	1/2 - 14 NPT	20
4550-40-3A *	3 x Ø 6.5 mm	15	16	120	no	1/2 - 14 NPT	20
4550-40-4A	3 x Ø 6.5 mm	15	16	150	no	1/2 - 14 NPT	20
4550-37-0A	3 x Ø 6.5 mm	15	16	150	si	R 1/2 - DIN 2999	20
4550-37-1A *	3 x Ø 6.5 mm	15	16	120	si	R 1/2 - DIN 2999	20
4550-37-2A *	3 x Ø 6.5 mm	15	16	100	si	R 1/2 - DIN 2999	20
4550-37-6A *	3 x Ø 6.5 mm	15	16	200	si	R 1/2 - DIN 2999	20
4555-25-2A	Corrugated friction spring for sheat Ø 15/16mm L=100 used with 2 bulbs						20
4555-20-0A	Capillary fixing spring for thermostats TG200/TG400 and capillary thermometers						20

\* price and delivery time upon request

## Glass thermometers



CODE	RANGE	ACCURACY CLASS	LENGHT mm	STEM LENGHT mm	CONNECTION POSITION	PACK QTY
1C8-12121-00A *	0 ÷ 120 °C	1.6	150	40	vertical	20
1C9-12121-00A *					horizontal	20

\* price and delivery time upon request

- Glass tube with blue liquid
- Anodized aluminium with brass color.
- Connection G 1/2 B

## Bi-metal thermometers



- Sensing element bi-metallic spiral.
- Class precision (according to DIN 16203)
- Polycarbonate window.
- Brass sheath with PTFE seal.
- Connection G 1/2 B.
- The bracelet version is supplied with stainless steel fixing spring.

CODE	CONNECTOR POSITION	DIAL		RANGE	CASE	POINTER	STEM LENGHT mm	PACK QTY
		mm	material					
1A3-10112-00A	lower	80	Al	0 ÷ 120	ABS	Al	45	20
1A3-10105-00A	lower	80	Al	0 ÷ 120	ABS	Al	100	20
1A4-20101-00A	back	80	ABS	-20 ÷ 60	ABS	ABS	40	20
1A4-20105-00A	back	80	ABS	-20 ÷ 60	ABS	ABS	100	20
1A4-10101-00A	back	80	ABS	0 ÷ 120	ABS	ABS	40	20
1A4-10105-00A	back	80	ABS	0 ÷ 120	ABS	ABS	100	20
1B2-10000-00A *	bracelet type	63	Al	0 ÷ 120	Stainless steel	ABS	-	20

\* price and delivery time upon request

## Multipurpose thermocouples



CODE	TYPE	CABLE LENGHT mm	5 CONNECTORS INCLUDED	PACK QTY
5920-02-0A	universal	900	yes	20
5930-02-0A *	universal interrupted without thermostat			20

\* price and delivery time upon request

## Bi-metal contact thermostats



CODE	OPENING CONTACT TEMPERATURE	CLOSING CONTACT TEMPERATURE	CONTACT				FASTON CONNECTION	PACK QTY
			golden plated	silver plated	norm. closed	norm. open		
7M8-11210-00A	110 °C	95 °C	•		•		vertical	20
7M6-80210-00A *	80 °C	65 °C		•	•		horizontal	20
7M6-90210-00A *	90 °C	75 °C		•	•		horizontal	20
7M6-99210-00A *	100 °C	85 °C		•	•		horizontal	20
7M6-11210-00A *	110 °C	95 °C		•	•		horizontal	20
7M6-80200-00A *	65 °C	80 °C		•		•	horizontal	20
7M6-42200-00A	31 °C	42 °C		•		•	vertical	20
7V6-42200-00A	31 °C	42 °C		•		•	vertical	20

- Cable (200mm) and fixing spring included for 7V6-42200-00A.

4555-41-1A \* Fixing spring for bi-metal contact thermostats - lenght 30mm - extension 110mm

\* price and delivery time upon request

The features referring to the units described in this catalog are not binding. Fantini Cosmi S.p.A. reserve the right to make modifications, owing to technological advances and commercial and normative developments, without giving any previous notice or communication, being it understood that the models' main functional features will not change.





FANTINI COSMI SPA Via dell'Osio, 6 - 20049 Caleppio di Settala MI, Italy  
Ph. +39 02 956821 ■ Fax +39 02 95307006 ■ [info@fantinicosmi.it](mailto:info@fantinicosmi.it)

EXPORT DEPARTMENT  
Ph. +39 02 95682222 ■ [export@fantinicosmi.it](mailto:export@fantinicosmi.it)

[www.fantinicosmi.com](http://www.fantinicosmi.com)